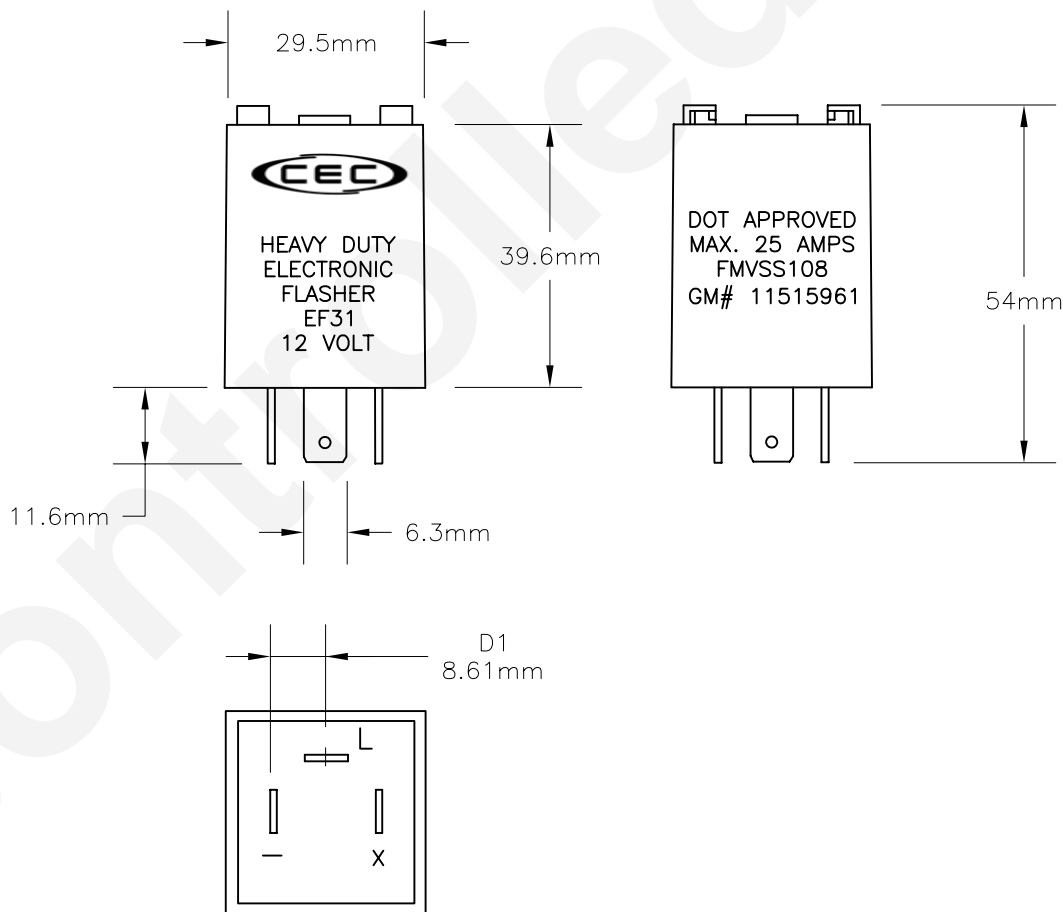
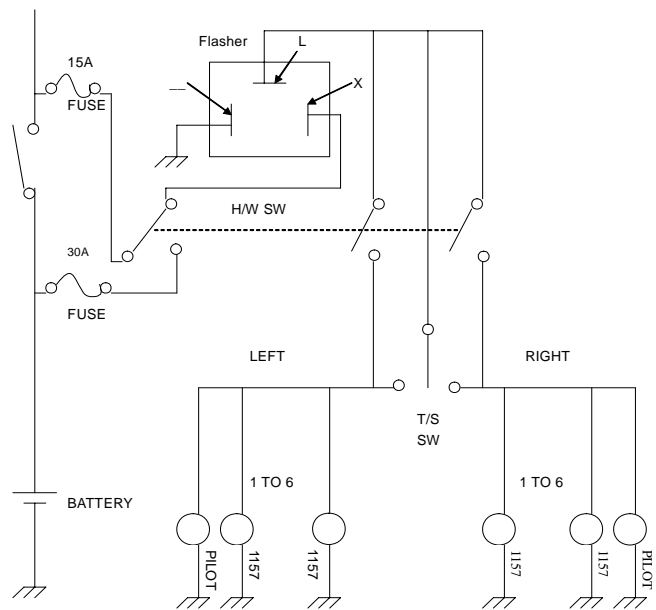


PART NO.	NO. OF TERMINALS	TYPE	STYLE	VOLT CAPACITY	PILOT CIRCUIT
EF31	3	VARIABLE LOAD	*SQUARE	12 V	NO

*FITS ALL STANDARD ROUND SOCKETS

REVISIONS			
REV	DESCRIPTION	DATE	APPROVED
1	ISSUED	12/20/1999	M.V.
2	ADDITIONAL VIEWS AND DIMENSIONS	06/17/2002	
3	REDRAWN	10/11/2005	D.C.
4	REMOVED NOTE	07/31/2008	D.C.
5	NEW HOUSING WITH SLOT FOR BRACKET	04/01/2011	D.C.

EF31 CIRCUIT DIAGRAM



Specifications: FMVSS 108 SAE J590 J945 & J1690 Class A
Rated for 100 hours of continuous operation

Shell Construction: Plastic

Rated Load: 1 to 12 lamps / 25 Amps. MAX

Lamp Ratings: # 1157 2.10 Amps at 12.8 Volts

1895 0.27 Amps. At 14.0 Volts

Temperature Operating Range: -25°F to 140° F

Rated Voltage: 11 to 15 Volts DC.

Voltage Drop at Rated Current: 500 mv

Time to First Flash: Less than 1.5 seconds.

Flash Rate over Temperature Range: 60 to 120 Flash Per Minute

Duty Cycle: 30% to 75%

Electrical Source:

30 amps. Fused circuit recommended.

L Terminal = Load (Lamp Output)

X Terminal = Battery (Power Input)

- Terminal = Ground.

UNLESS OTHERWISE SPECIFIED:
DIMENSIONS ARE IN INCHES
TOLERANCES

DECIMALS	ANGULAR
.XX ± .05	± 0.5°
.XXX ± .010	
FRACTIONAL	± 1/64

CEC INDUSTRIES LTD

599 BOND STREET

LINCOLNSHIRE IL 60069

TITLE

ELECTRONIC FLASHER EF31

DRAWN
Maria M. Vargas

DATE
12/20/99

CHECKED

SIZE
A

FSCM NO.

DWG NO.

FLASHER EF31

REV
5

DESIGN

SCALE

PLOT SCALE

SHEET

1 OF 1

MATERIAL

FILE
EF31.DWG

DO NOT SCALE DRAWING