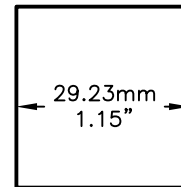


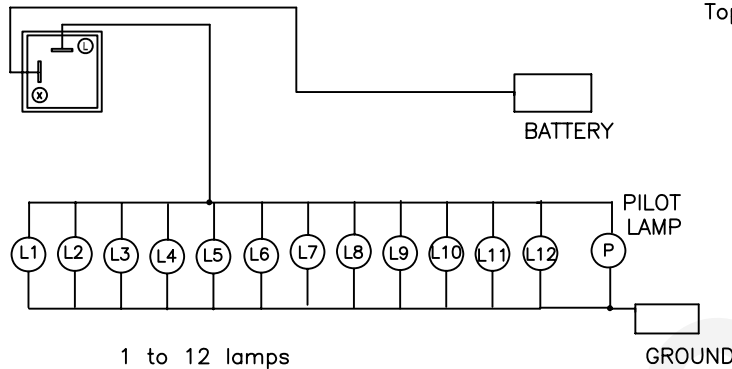
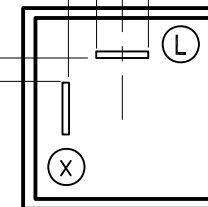
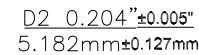
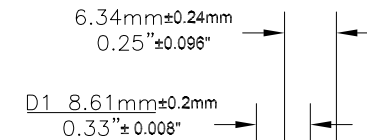
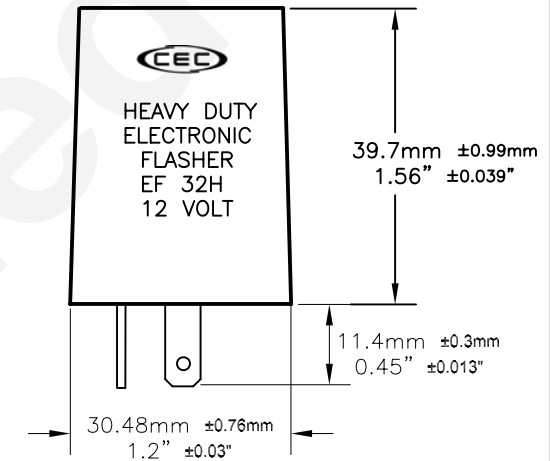
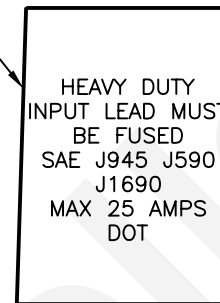
PART NO.	NO. OF TERMINALS	TYPE	STYLE	Volt Capacity
EF32H	2	Variable Load	Square	11-15V

REVISIONS			
REV	Change Description	Date	Approved
1	Additional specifications added	6/17/2002	
2	Additional dimensions added	6/19/2002	
3	Additional view with text	12/13/2004	D.C.

Text
(back view)



Top View



1 to 12 lamps

Specifications: FMVSS 108 SAE J590 J945 J1690 Class A

Rated for 100 hours of continuous operation

Shell Construction: Plastic

Rated Load: 1 to 12 lamps / 25 Amps. MAX

Lamp Ratings: (1) No. 1157 2.10 Amps at 12.8 Volts
(2) No. 1157 25 Amps at 12.8 Volts

Temperature Operating Range: -25°F to 140° F

Rated Voltage: 11 to 15 Volts DC.

Voltage Drop at Rated Current: 500 mv

Time to First Flash: Less than 1.5 seconds.

Flash Rate over Temperature Range: 60 to 120 Flash Per Minute

Duty Cycle: 30% to 75%

Electrical Source: 25 Amps. Input Lead must be fused.

L Terminal = Load (Lamp Output)

X Terminal = Battery (Power Input)

UNLESS OTHERWISE SPECIFIED: DIMENSIONS ARE IN INCHES TOLERANCES		CEC INDUSTRIES LTD		
DECIMALS ANGULAR		599 BOND STREET		
.XX ± .05 ± 0.5°		LINCOLNSHIRE IL 60069		
.XXX ± .010		TITLE		
FRACTIONAL ±1/64		ELECTRONIC FLASHER EF32H		
DRAWN	DATE	SIZE	FSCM NO.	DWG NO.
Anna Soloveychik	06/07/02	A		FLASHER EF32H rev3
CHECKED		SCALE	PLOT SCALE	REV
DESIGN				3
MATERIAL		FILE	DO NOT SCALE DRAWING	
		EF32H rev3.DWG		