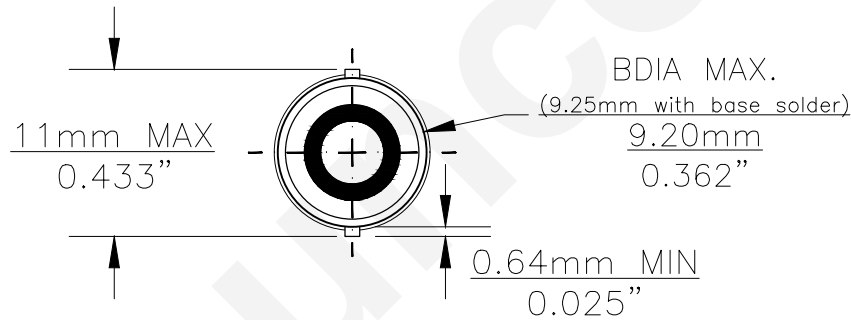
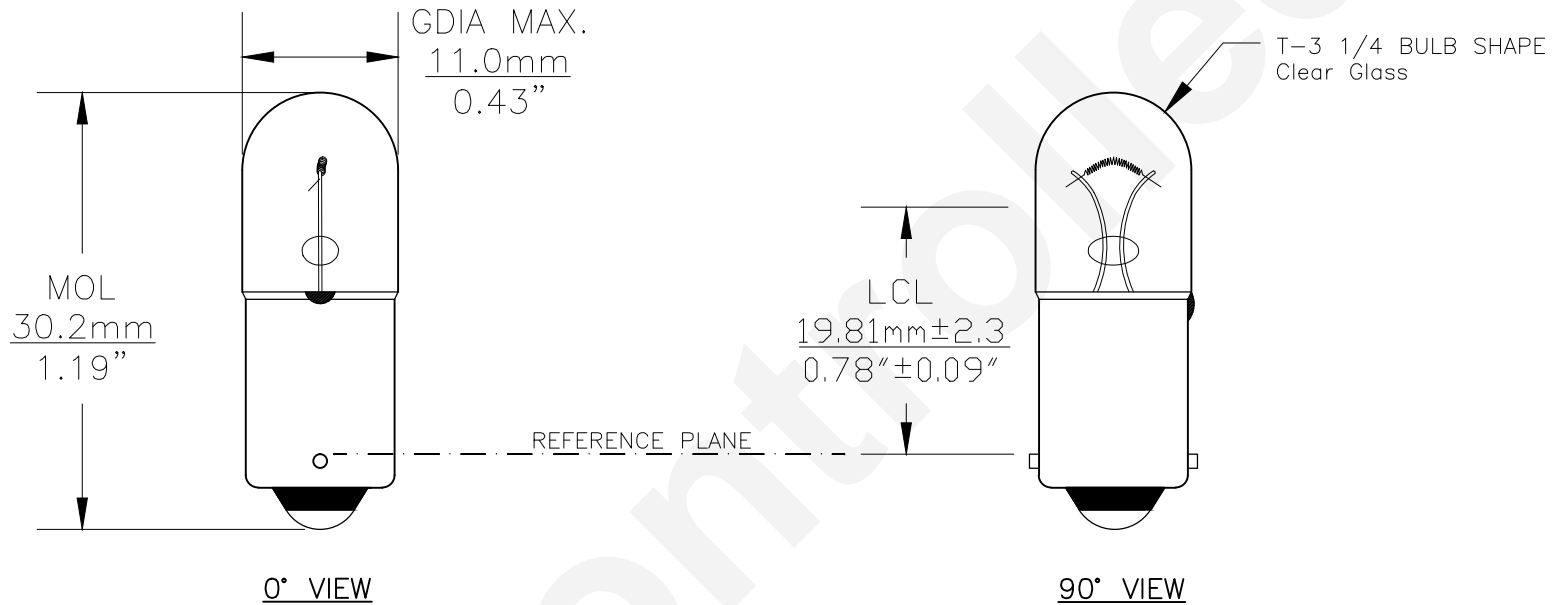




PART NO.	BASE TYPE	DESIGN VOLTS	DESIGN AMPS	MSCD	FILAMENT TYPE	AVERAGE LIFE HOURS	REVISIONS			
							REV #	DESCRIPTION	DATE	APPROVED
1847	MINIATURE BAYONET (BA9s)	6.3V	0.15±10%	0.39±20%	C-2R	5,000	1	ISSUED	10/05/2016	R.M.



Note: Made according to SAE specifications

UNLESS OTHERWISE SPECIFIED: DIMENSIONS ARE IN INCHES TOLERANCES		CEC INDUSTRIES LTD			
DECIMALS .XX ± .05		599 BOND STREET		LINCOLNSHIRE, IL 60069	
ANGULAR .XXX ± .010		TITLE LIGHT BULB NO. 1847			
FRACTIONAL ±1/64		DATE 10/05/2016	SIZE A	DWG NO. 1847	REV 1
DRAWN ROSE MEDINA	CHECKED	DESIGN	SCALE	PLOT SCALE	SHEET 1 OF 1
MATERIAL	FILE 1847.pdf	DRAWING NOT TO SCALE			