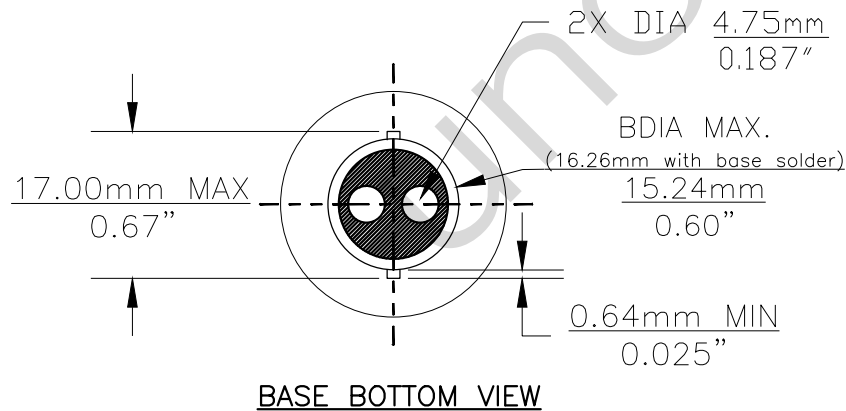
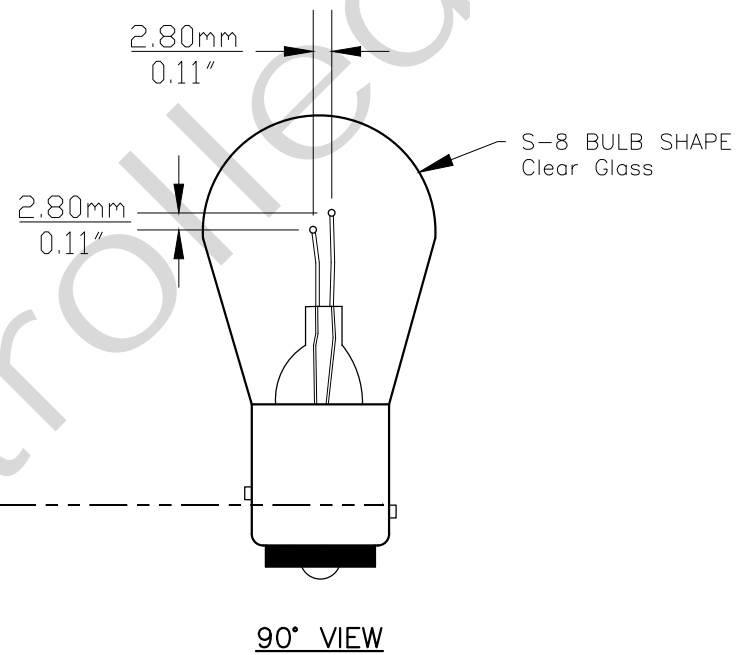
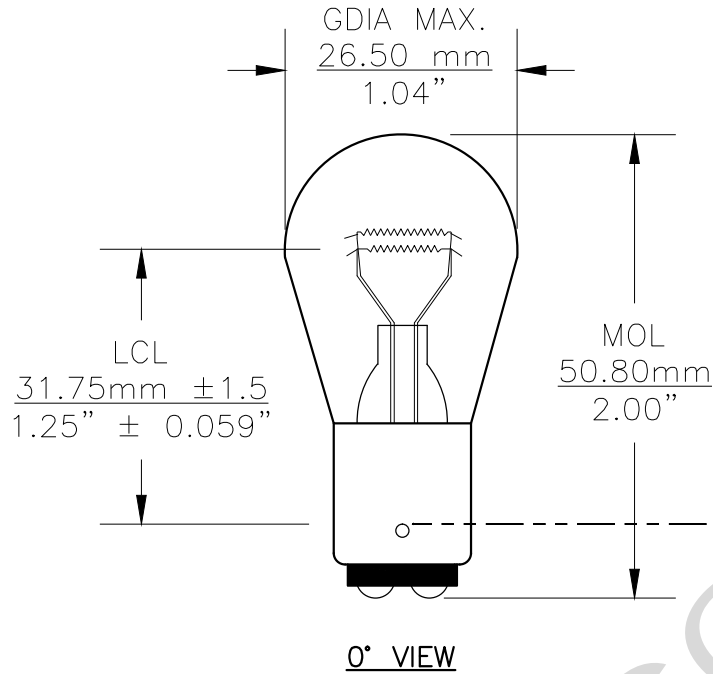




Since 1959

PART NO.	BASE TYPE	DESIGN VOLTS	DESIGN AMPS	MSCD	FILAMENT TYPE	AVERAGE LIFE HOURS	REVISIONS			
							REV #	DESCRIPTION	DATE	APPROVED
2057LL	D.C. INDEX BAY15d	12.8V 14V	2.1±5% 0.48±8%	32±10% 2±12%	C-6 C-6	2000 10,000	1	ISSUED	01/04/2001	A.S.
							2	REDRAWN	05/14/2007	D.C.



Note: Made according to SAE specifications

UNLESS OTHERWISE SPECIFIED: DIMENSIONS ARE IN INCHES TOLERANCES		CEC INDUSTRIES LTD			
DECIMALS	ANGULAR	599 BOND STREET		LINCOLNSHIRE, IL 60069	
.XX ± .05	± 0.5°	TITLE LIGHT BULB NO. 2057LL			
.XXX ± .010		SCALE A	FSCM NO.	DWG NO. 2057LL	REV 2
FRACTIONAL	± 1/64	DESIGN	PLOT SCALE	SHEET 1 OF 1	
DRAWN ELIZABETH SONANES		DATE 01/23/2001	MATERIAL		
CHECKED		FILE 2057LL.pdf	DRAWING NOT TO SCALE		