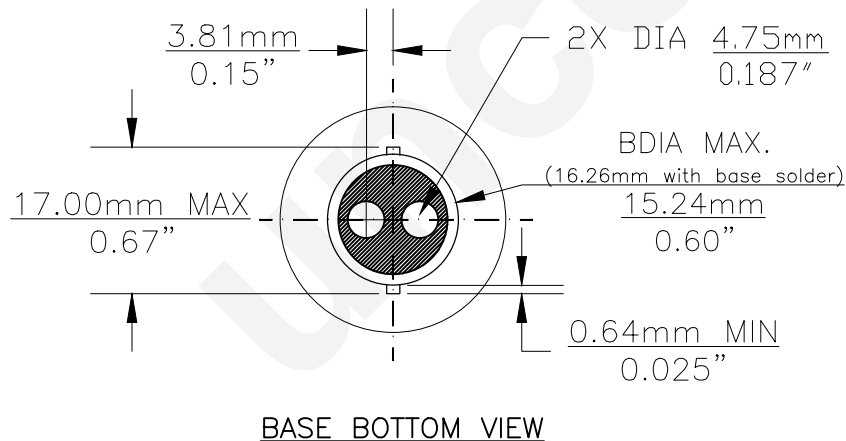
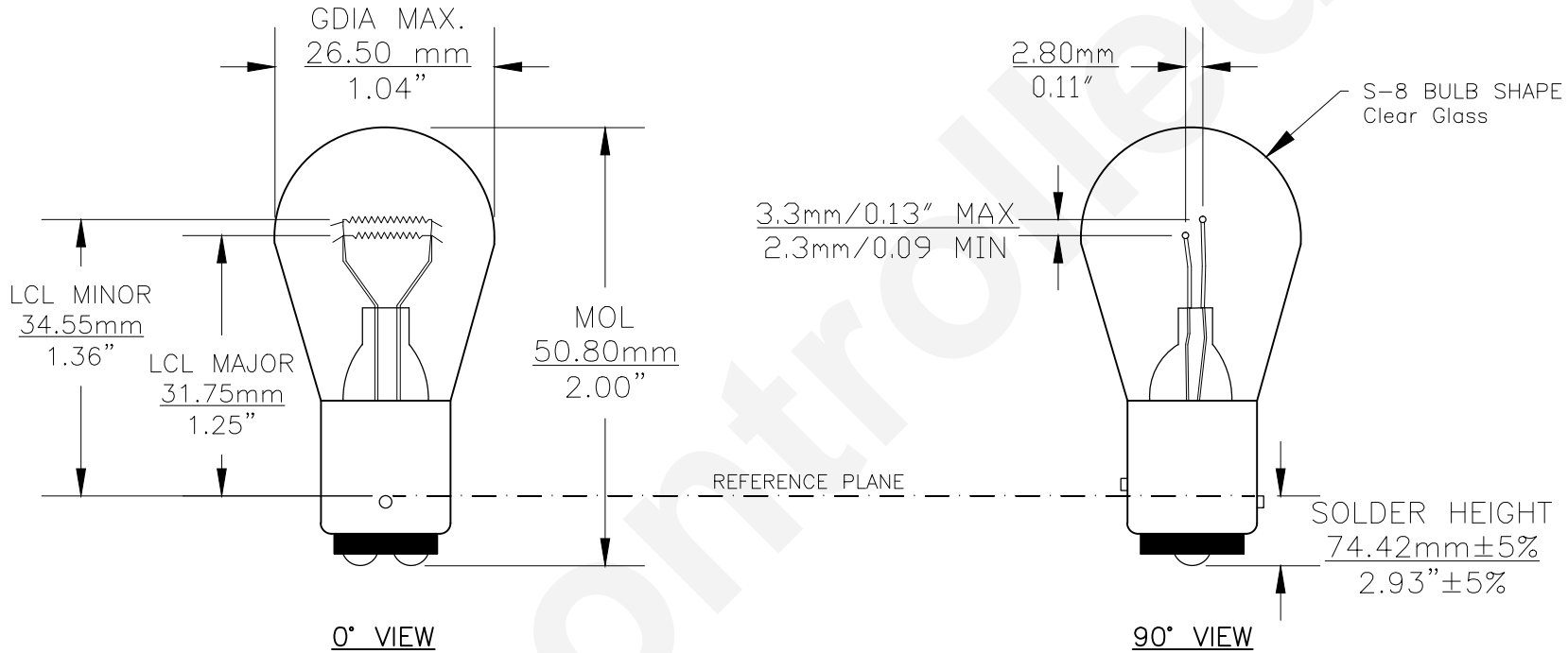




PART NO.	BASE TYPE	DESIGN VOLTS	DESIGN AMPS	MSCD	FILAMENT TYPE	AVERAGE LIFE HOURS	REVISIONS			
							REV #	DESCRIPTION	DATE	APPROVED
CE2	D.C. INDEX BAY15d (Nickel)	48V	0.52 0.20	6	C-6 C-6	300	1	ISSUED	12/23/2004	D.C.
							2	REDRAWN	04/27/2016	R.M.



UNLESS OTHERWISE SPECIFIED: DIMENSIONS ARE IN INCHES TOLERANCES		CEC INDUSTRIES LTD			
DECIMALS .XX ± .05		FSCM NO.		DWG NO. CE2	
ANGULAR .XXX ± .010		SCALE		PLOT SCALE	
FRACTIONAL ±1/64		FILE CE2.pdf		DRAWING NOT TO SCALE	
DATE 12/23/2004		TITLE LIGHT BULB NO. CE2			
DRAWN DENNIS CLARK		SIZE A		REV 2	
CHECKED		SCALE		SHEET 1 OF 1	
DESIGN		PLOT SCALE		1 OF 1	
MATERIAL		DRAWING NOT TO SCALE			

CEC INDUSTRIES LTD

599 BOND STREET

LINCOLNSHIRE, IL 60069

TITLE LIGHT BULB NO. CE2

SIZE A FSCM NO. DWG NO. CE2 REV 2

SCALE PLOT SCALE SHEET 1 OF 1

FILE CE2.pdf DRAWING NOT TO SCALE