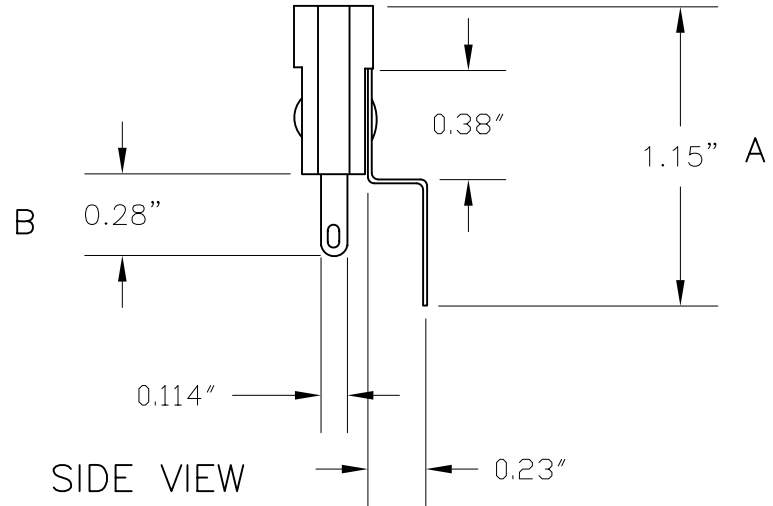
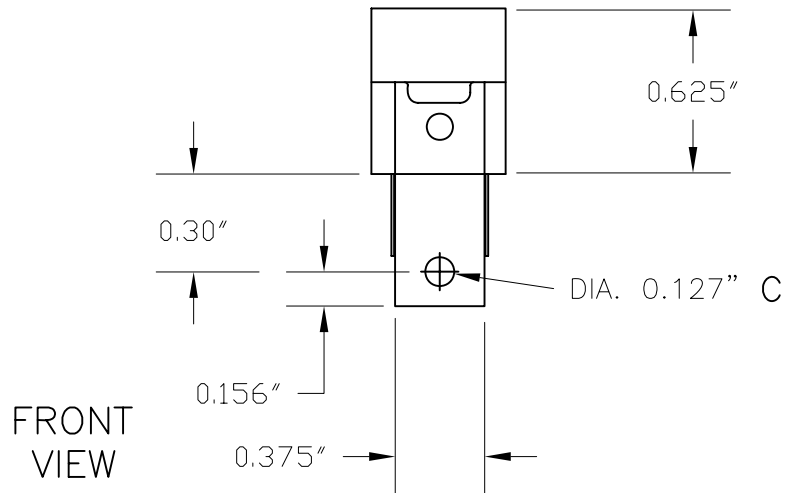
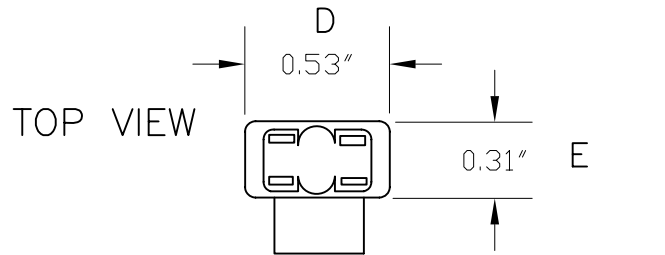


| | |
|----------|-------------------|
| PART NO. | BASE TYPE |
| 4087-3 | WEDGE BASE SOCKET |

| REVISIONS | | | |
|-----------|---------------------------------------|-----------|----------|
| REV | DESCRIPTION | DATE | APPROVED |
| 1 | Addition of letters to the dimensions | 3/29/2005 | D.C. |



| MATERIAL CHART | | |
|----------------|----------------------------|-----|
| COMPONENT | MATERIAL/FINISH | QTY |
| HOUSING | NYLON 6/6-BLACK | 1 |
| BRACKET | .015 THK. C.R.S-ZINC PLATE | 1 |
| RIVET | NICKLE PLATED | 1 |

| | |
|---|-----------------------------|
| UNLESS OTHERWISE SPECIFIED: DIMENSIONS ARE IN INCHES TOLERANCES | |
| DECIMALS .XX ± .05 .XXX ± .010 FRACTIONAL | ANGULAR ± 0.5° ± 1/64 |
| DRAWN D. CLARK | DATE 02/28/2005 |
| CHECKED | |
| DESIGN | |
| MATERIAL | |

| | | | |
|-----------------------------------|------------|------------------------|----------|
| CEC INDUSTRIES LTD | | | |
| 599 BOND STREET | | LINCOLNSHIRE, IL 60069 | |
| TITLE WEDGE BASE SOCKET 4087-3 | | | |
| SIZE A | FSCM NO. | DWG NO. 4087-3 | REV 1 |
| SCALE | PLOT SCALE | SHEET 1 OF 1 | |
| FILE 4087-3.dwg | | DO NOT SCALE DRAWING | |