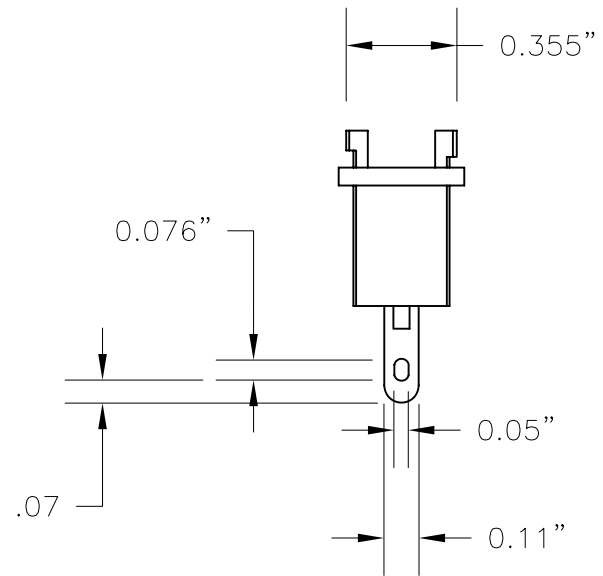
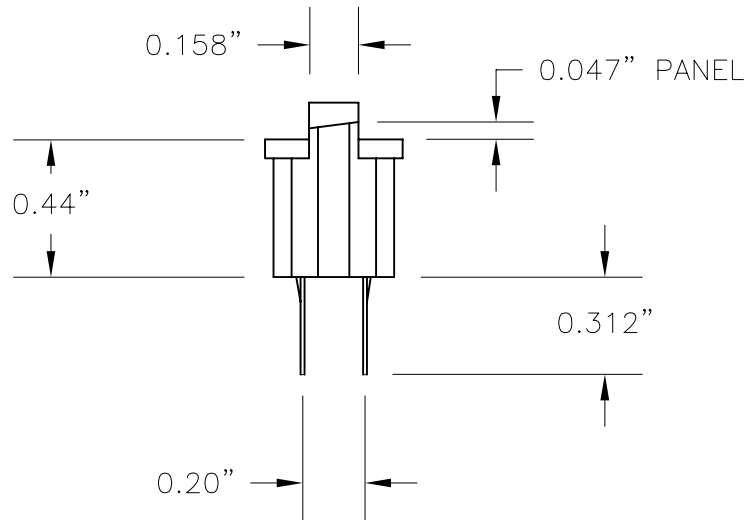
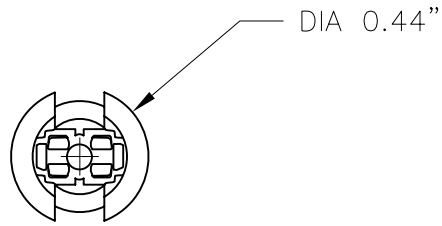


PART NO.	BASE TYPE
T17	WEDGE BASE SOCKET



UNLESS OTHERWISE SPECIFIED: DIMENSIONS ARE IN INCHES TOLERANCES		CEC INDUSTRIES LTD			
DECIMALS ANGULAR		599 BOND STREET		LINCOLNSHIRE, IL 60069	
.XX ± .05 ± 0.5°		TITLE			
.XXX ± .010		WEDGE BASE SOCKET T17			
FRACTIONAL ± 1/64		SIZE	FSCM NO.	DWG NO.	REV
DRAWN D. CLARK	DATE 03/24/2006			T17	
CHECKED		SCALE	PLOT SCALE	SHEET 1 OF 1	
DESIGN		FILE T17.dwg		DO NOT SCALE DRAWING	