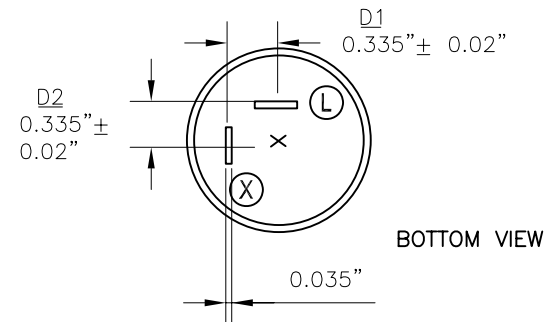
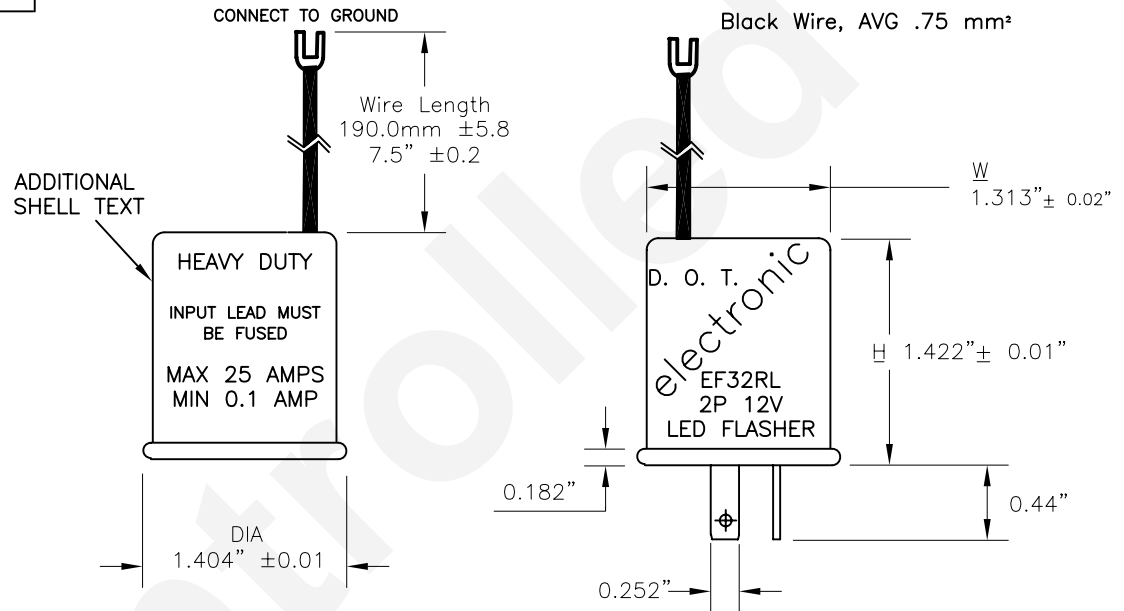
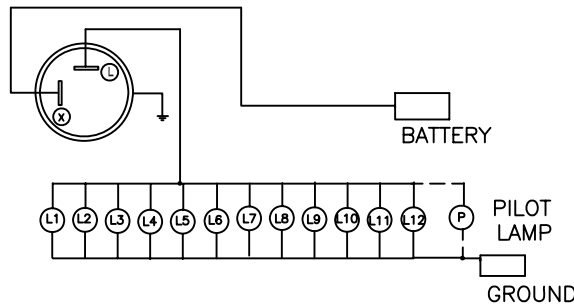


PART NO.	NO. OF TERMINALS	TYPE	STYLE	Volt Capacity
EF32RL	2	Variable Load	Round	11-15V

REVISIONS			
REV	DESCRIPTION	DATE	APPROVAL
1	ISSUED	1/04/2005	D.C.
2	REVISED MIN. AMPS	9/22/2008	D.C.



**Specifications:** FMVSS 108 SAE J590b, J945&J1690 Class A

**Shell Construction:** Plastic

**Rated Load:** 0.1 Amp to 25 Amp self-adjusting to lamp amperage draw.

**Lamp Ratings:** 0.1 Amp to 25 Amps

**Temperature Operating Range:** -25°F to 140° F

**Rated Voltage:** 11 to 15 Volts DC.

**Voltage Drop at Rated Current:** 500 mv

**Time to First Flash:** Less than 1.5 seconds.

**Flash Rate over Temperature Range:** 60 to 120 Flash Per Minute

**Duty Cycle:** 30% to 75%

**Electrical Source:** Special Note: External Wire Provides Ground

25 amps. Input Lead must be fused.

L Terminal = Load (Lamp Output)

X Terminal = Battery (Power Input)

UNLESS OTHERWISE SPECIFIED: DIMENSIONS ARE IN INCHES TOLERANCES		CEC INDUSTRIES LTD		
DECIMALS	ANGULAR	599 BOND STREET		LINCOLNSHIRE IL 60069
.XX ± .05	± 0.5°	TITLE		
.XXX ± .010		ELECTRONIC FLASHER EF32RL		
FRACTIONAL	± 1/64	SIZE	FSCM NO.	DWG NO.
DRAWN	DATE	A		EF32RL
D. C.	1/04/2005	SCALE	PLOT SCALE	SHEET 1 OF 1
CHECKED				REV 2
DESIGN		DO NOT SCALE DRAWING		
MATERIAL		FILE	EF32RL.DWG	