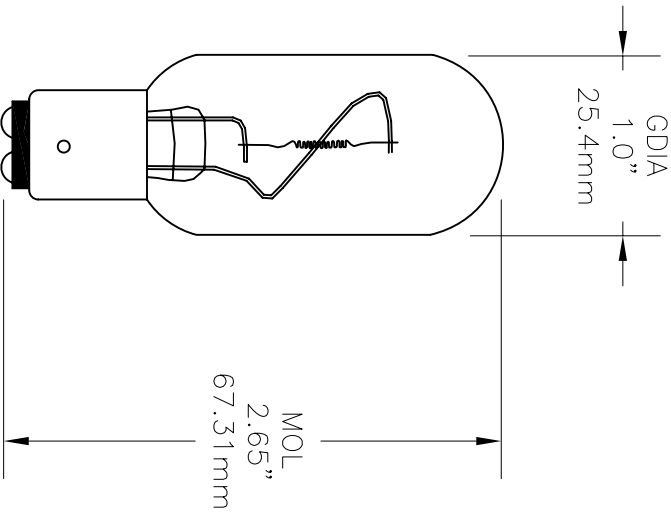
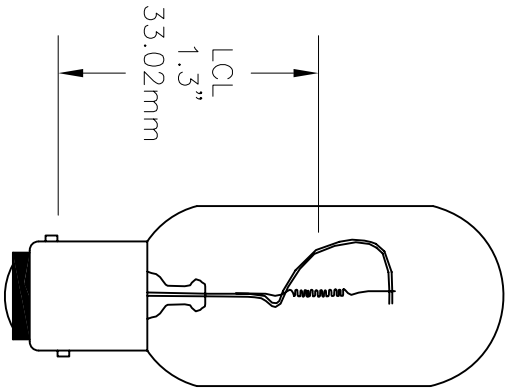


PART NO.	BASE TYPE	DESIGN VOLTS	AMPS	WATTS	FILAMENT TYPE	AVERAGE LIFE HOURS
10T8 DC/24V	DC INDEX BAY15D NICKEL BASE	24	0.42	10	C-8	



UNLESS OTHERWISE SPECIFIED: DIMENSIONS ARE IN INCHES TOLERANCES		DECIMALS		ANGULAR	
XX ± .05		XXX ± .010		FRACTIONAL ± 1/64	
DRAWN D. CLARK	DATE 10/25/2005	TITLE 599 BOND STREET CEC INDUSTRIES LTD LINCOLNSHIRE, IL 60069 LIGHT BULB NO. 10T8 DC 24V			
CHECKED		SIZE A	FSCM NO.	DWG NO. 10T8 DC 24V	REV
DESIGN		SCALE	PLOT SCALE	SHEET 1 OF 1	
MATERIAL		FILE 10T8 DC 24V.dwg		DO NOT SCALE DRAWING	