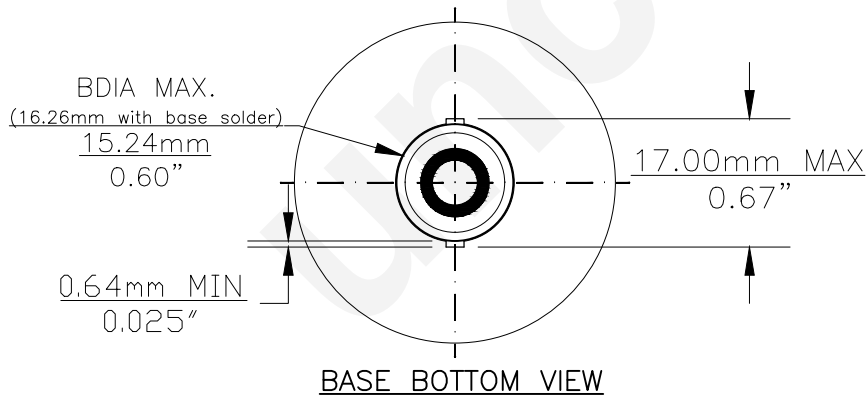
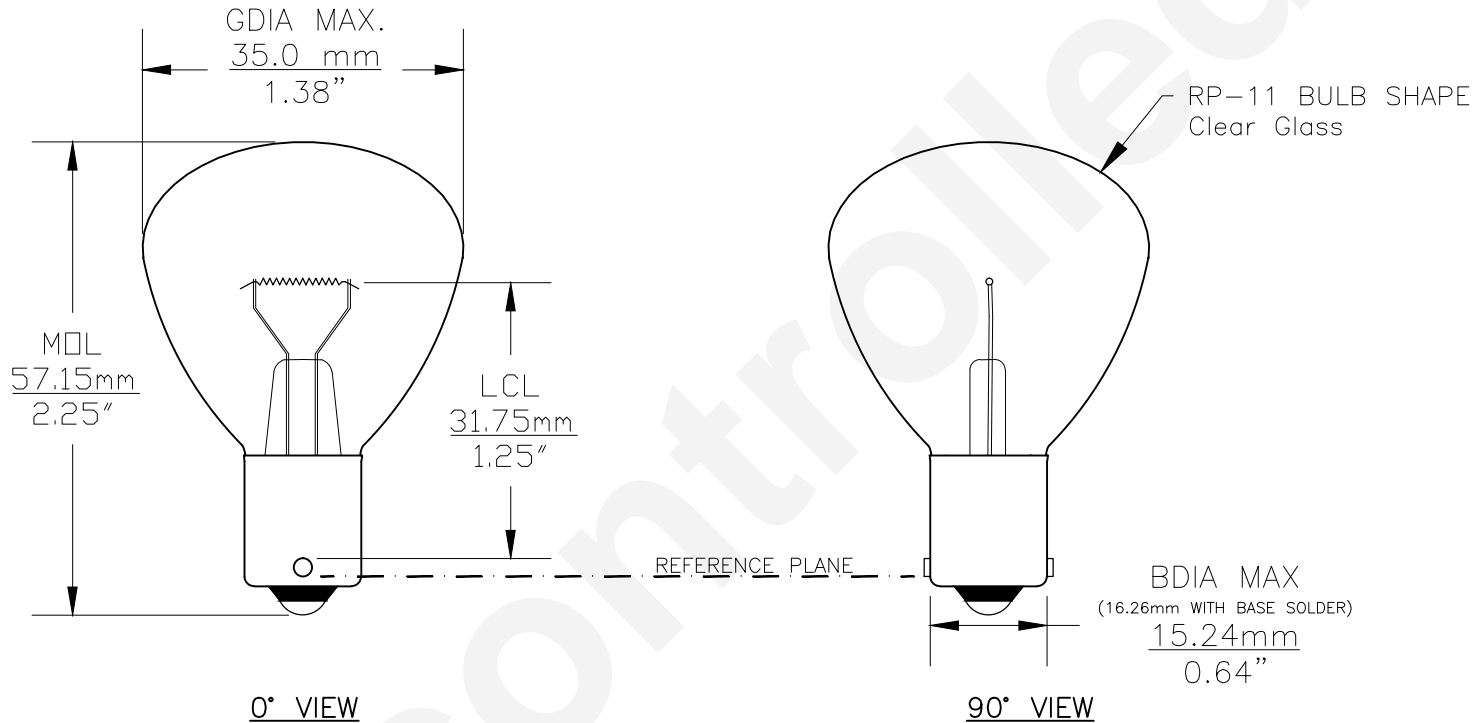




Since 1959

PART NO.	BASE TYPE	DESIGN VOLTS	DESIGN AMPS	MSCD	FILAMENT TYPE	AVERAGE LIFE HOURS	REVISIONS			
							REV #	DESCRIPTION	DATE	APPROVED
1139	S.C. Bayonet (BA15s)	12.8V	1.04±15%	15 ±20%	C-6	700	1	ISSUED	11/04/2014	R.M.



Note: Made according to SAE specifications



UNLESS OTHERWISE SPECIFIED: DIMENSIONS ARE IN INCHES TOLERANCES		CEC INDUSTRIES LTD			
DECIMALS	ANGULAR	599 BOND STREET		LINCOLNSHIRE, IL 60069	
.XX ± .05	± 0.5°	TITLE LIGHT BULB NO. 1139			
.XXX ± .010	± 1/64	SIZE A	FSCM NO.	DWG NO. 1139	REV 1
FRACTIONAL		SCALE	PLOT SCALE	SHEET 1 OF 1	
DRAWN ROSE MEDINA		DATE 11/04/2014	FILE 1139.pdf		
CHECKED		DRAWING NOT TO SCALE			
DESIGN					
MATERIAL					