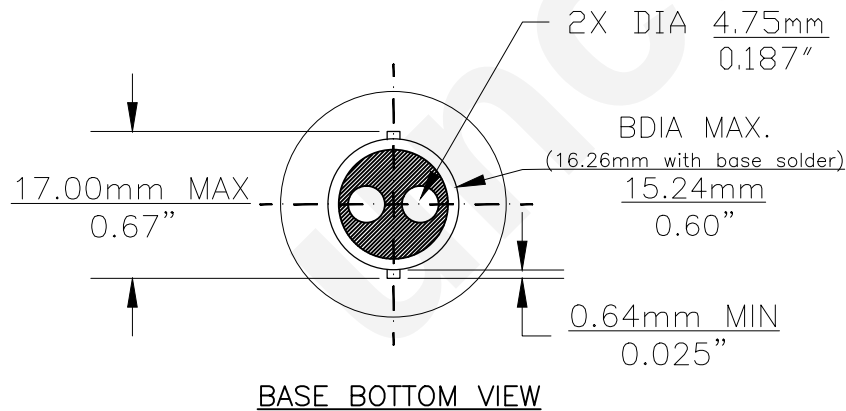
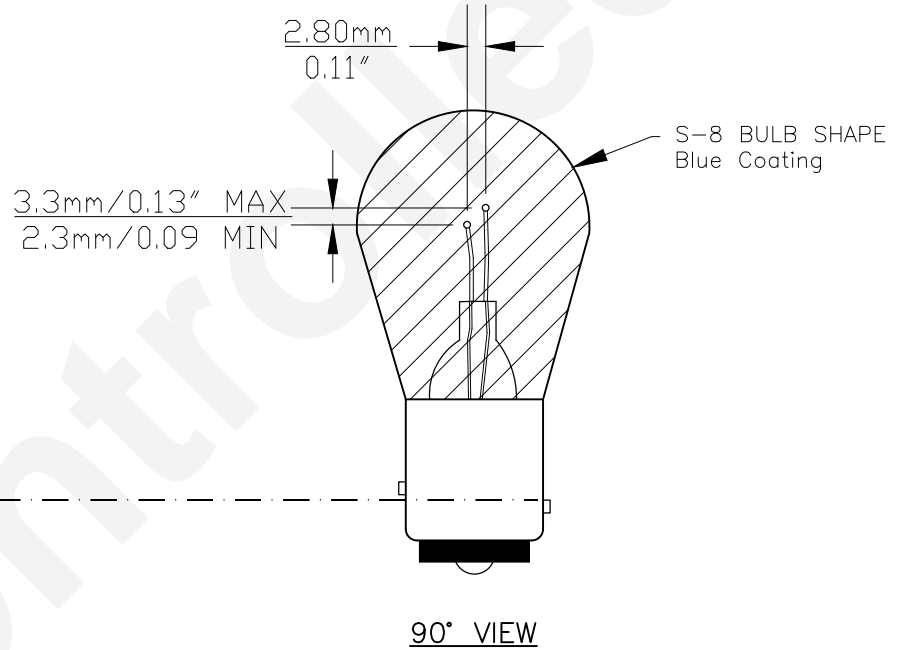
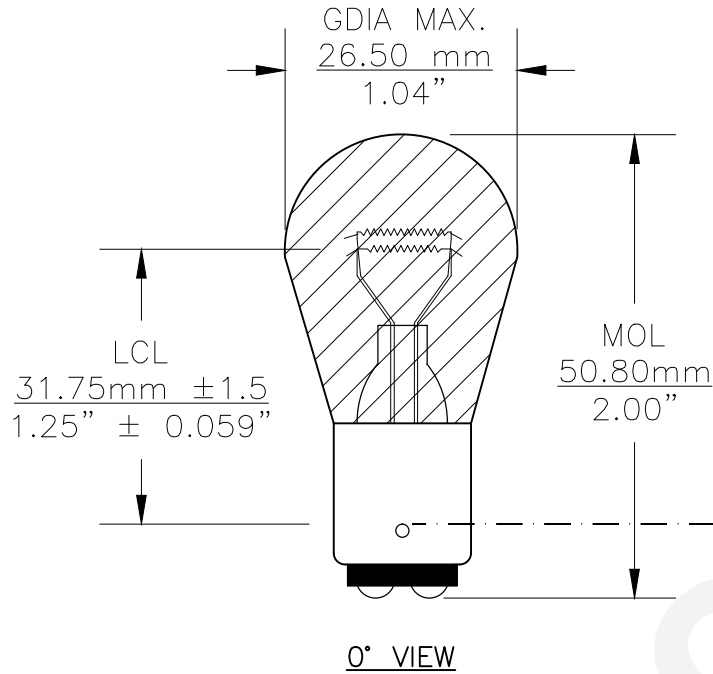




Since 1959

PART NO.	BASE TYPE	TEST VOLTS	DESIGN AMPS	MSCD	FILAMENT TYPE	AVERAGE LIFE HOURS	REVISIONS			
							REV #	DESCRIPTION	DATE	APPROVED
1157ST-SB	D.C. INDEX BAY15d	12.8V 14.0V	2.10±5% 0.59±8%	32 ±10% 3 ±12%	C-6 C-6	1200 5000	1	ISSUED	03/02/2017	R.M.



Note: Made according to SAE specifications

UNLESS OTHERWISE SPECIFIED: DIMENSIONS ARE IN INCHES TOLERANCES		CEC INDUSTRIES LTD			
DECIMALS	ANGULAR	599 BOND STREET		LINCOLNSHIRE, IL 60069	
.XX ± .05	± 0.5°	TITLE LIGHT BULB NO. 1157ST-SB			
.XXX ± .010		SIZE A	FSCM NO.	DWG NO. 1157ST-SB	REV 1
FRACTIONAL	±1/64	DESIGN	SCALE	PLOT SCALE	SHEET 1 OF 1
DRAWN ROSE MEDINA DATE 03/02/2017		MATERIAL		FILE 1157ST-SB.pdf	DRAWING NOT TO SCALE