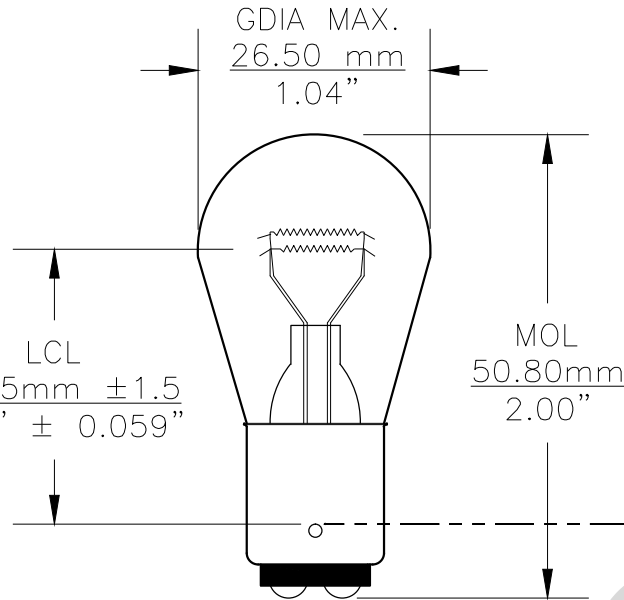


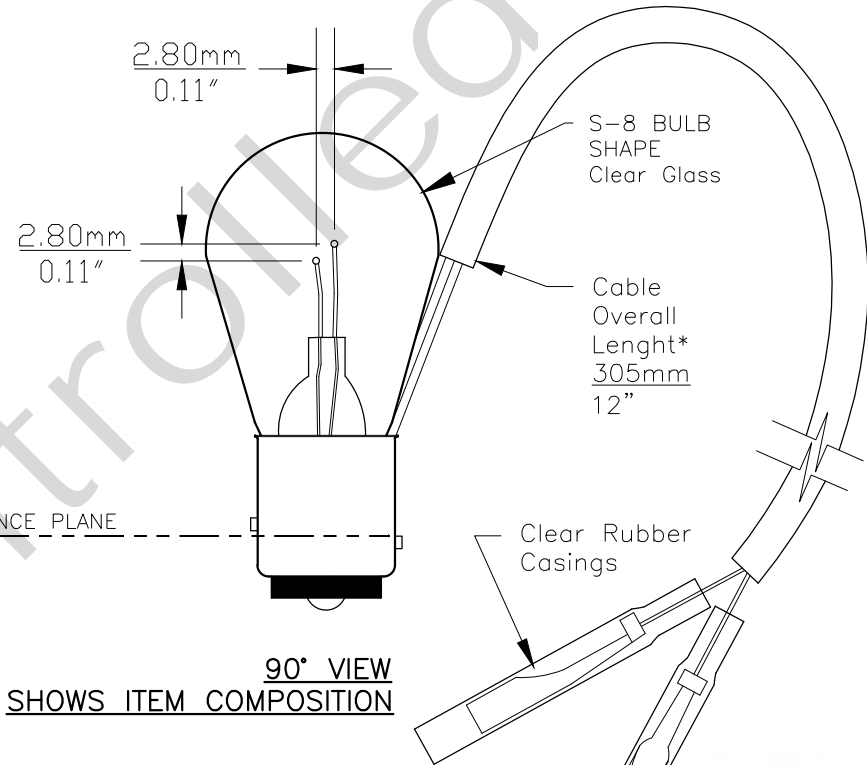


Since 1959

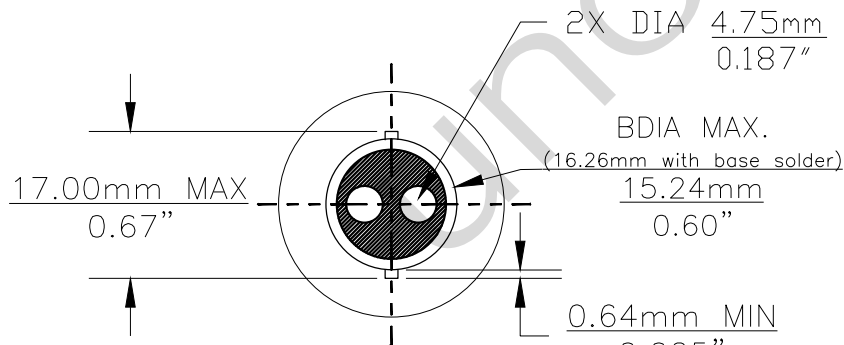
PART NO.	BASE TYPE	DESIGN VOLTS	DESIGN AMPS	MSCD	FILAMENT TYPE	AVERAGE LIFE HOURS	REVISIONS			
							REV #	DESCRIPTION	DATE	APPROVED
1157W	D.C. INDEX BAY15d	12.8V 14.0V	2.1±5% 0.59±8%	32±10% 3±12%	C-6 C-6	1200 5000	1	ISSUED	07/01/2014	R.M.



0° VIEW
SHOWS ONLY THE BULB



90° VIEW
SHOWS ITEM COMPOSITION



BASE BOTTOM VIEW

*Nominal Dimensions

Note: Made according to SAE specifications



UNLESS OTHERWISE SPECIFIED: DIMENSIONS ARE IN INCHES TOLERANCES		CEC INDUSTRIES LTD			
DECIMALS	ANGULAR	599 BOND STREET		LINCOLNSHIRE, IL 60069	
.XX ± .05	± 0.5°	TITLE		LIGHT BULB NO. 1157W	
.XXX ± .010		SCALE	FSCM NO.	DWG NO.	REV
FRACTIONAL	±1/64	A		1157W	1
DRAWN	DATE	SHEET		1 OF 1	
ROSE MEDINA	07/01/2014	FILE		DRAWING NOT TO SCALE	
CHECKED		1157W.pdf			
DESIGN					
MATERIAL					