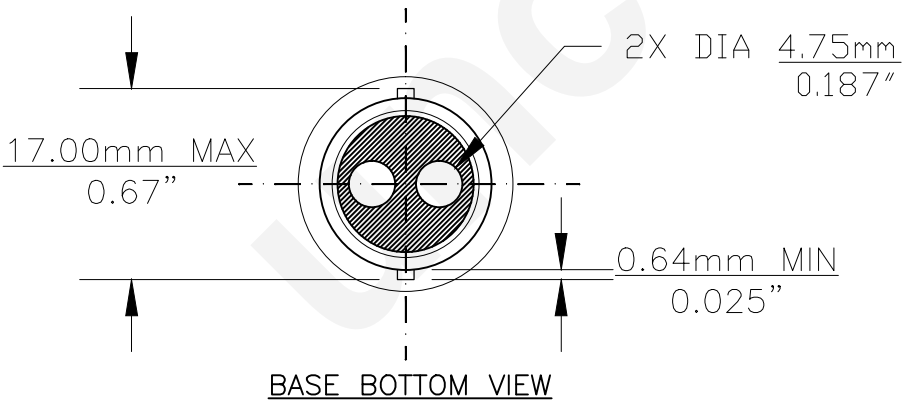
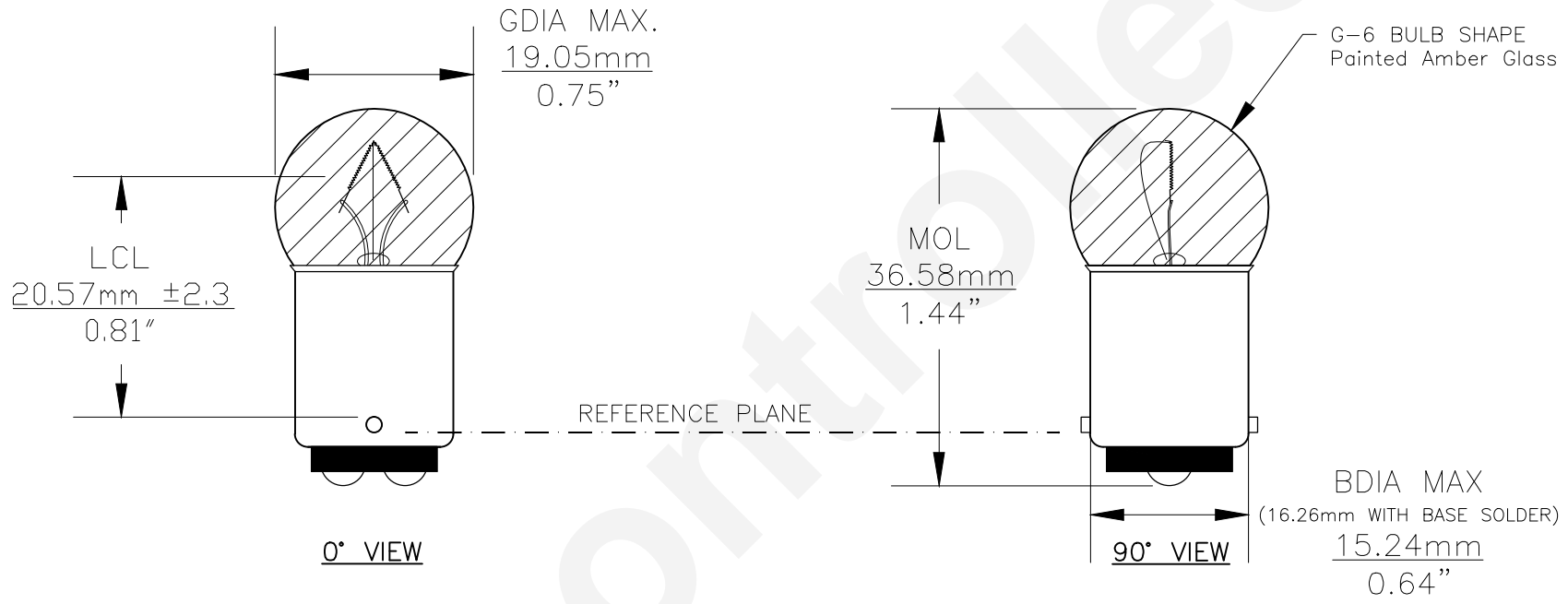




PART NO.	BASE TYPE	DESIGN VOLTS	DESIGN AMPS	MSCD	FILAMENT TYPE	AVERAGE LIFE HOURS	REVISIONS			
							REV #	DESCRIPTION	DATE	APPROVED
1178A	D.C. BAYONET (BA15d)	13.5V	0.69±8%	4 ±15%	C-2V	5,000	1	ISSUED	11/13/2014	R.M.



Note: Made according to SAE specifications

UNLESS OTHERWISE SPECIFIED: DIMENSIONS ARE IN INCHES TOLERANCES		CEC INDUSTRIES LTD			
DECIMALS .XX ± .05 .XXX ± .010 FRACTIONAL ±1/64		599 BOND STREET		LINCOLNSHIRE, IL 60069	
DRAWN ROSE MEDINA	DATE 11/13/2014	TITLE LIGHT BULB NO. 1178A			
CHECKED	SIZE A	FSCM NO.	DWG NO. 1178A	REV 1	
DESIGN	SCALE	PLOT SCALE	SHEET 1 OF 1		
MATERIAL	FILE 1178A.pdf	DRAWING NOT TO SCALE			