



Since 1959

Product Information Sheet

PS19W 12V

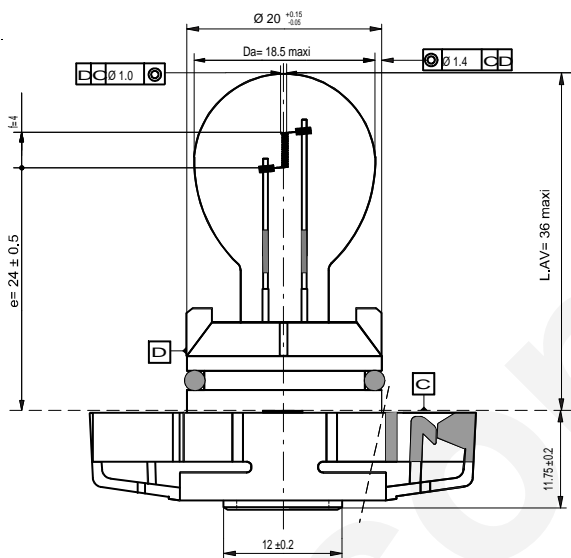
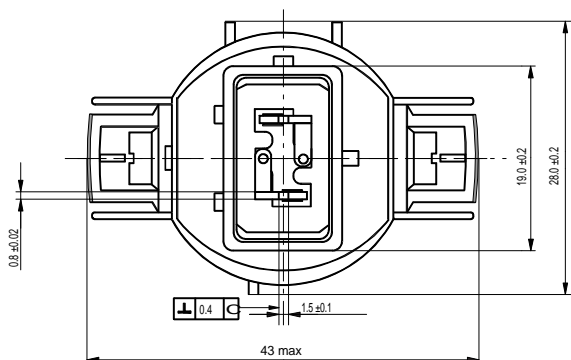
HiPer E18 PY24W 12V PGU20/4 NA

12085

Date : 12/18/2006

Dimensions in mm

HiPer E18 PS19W 12V PG20/1



All signalling functions

PS19W 12V

Cap : PG20/1 IEC 61-1 / 7004-127-

Type : 12085

Code Nr : 9246 250 171

C-8Z Straight-axial -"Z" shape

ECE R37 E4 2HZ

Made in France, Chartres

Photometric values

Photometry voltage	13,5V DC
Power	19,00 W ±5,2%
Luminous flux	350,0 lm ±15%

Mechanical values

Mechanical bulb resistance	40,0 N min.
----------------------------	-------------

Reliability

Life test voltage	13,5V DC
Life test cycle	Continuous (11h45' On/15' Off)
Lumen maintenance at	1 000 h
Lumen maintenance	70,0 % min.
Life : Tc	2 000 h
Life : B3	1 000 h

Product specifications are subject to modification without prior notice
Property of Business Center Chartres - France

CEC INDUSTRIES LTD

599 Bond St, Lincolnshire, IL 60069