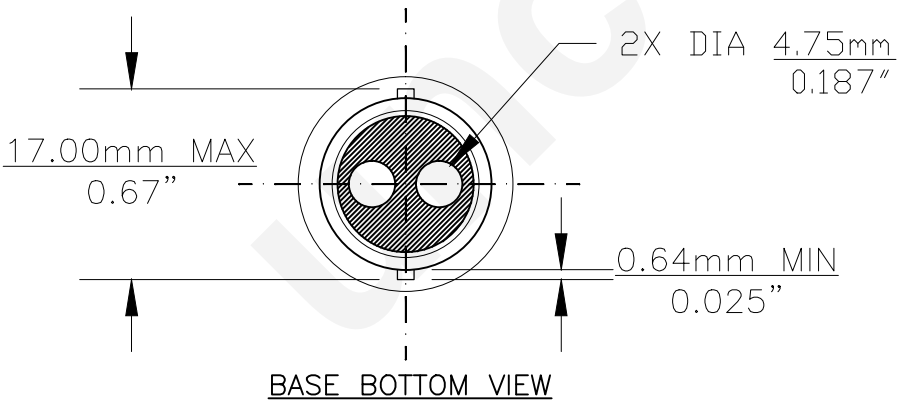
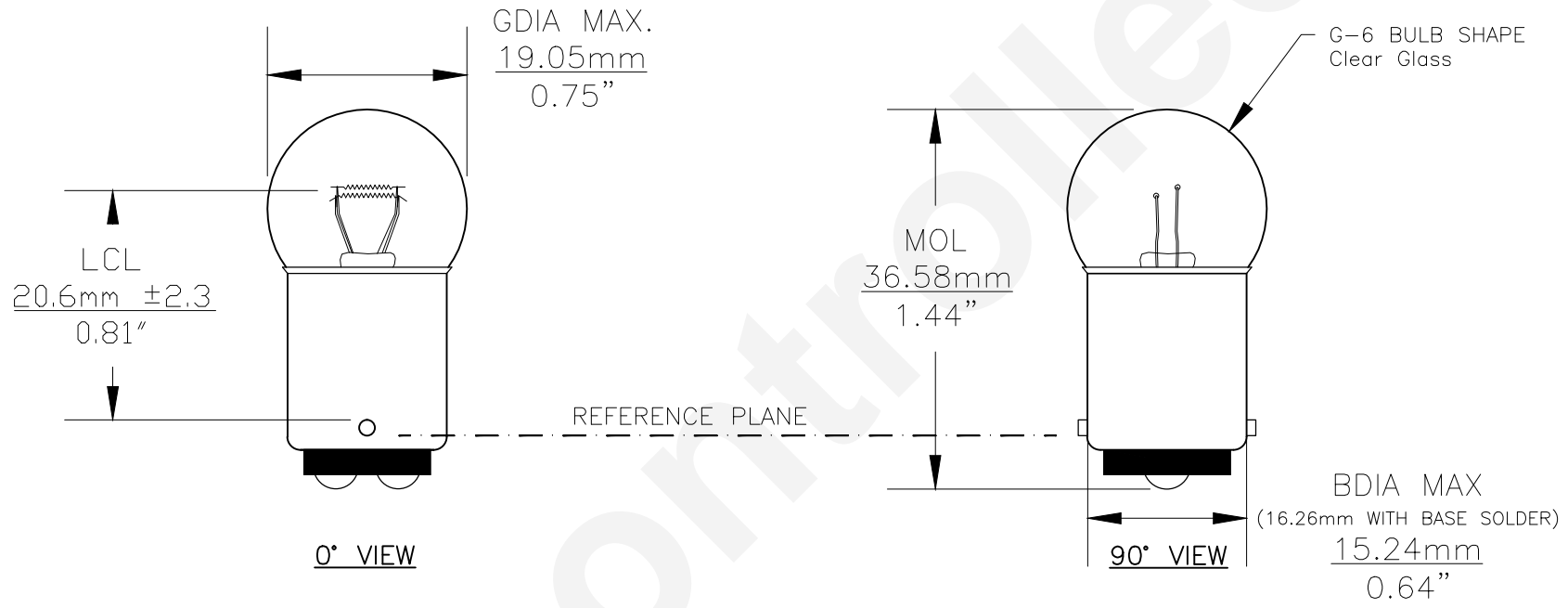




Since 1959

PART NO.	BASE TYPE	DESIGN VOLTS	DESIGN AMPS	MSCD	FILAMENT TYPE	AVERAGE LIFE HOURS	REVISIONS			
							REV #	DESCRIPTION	DATE	APPROVED
12V-G6-DCI	D.C. BAYONET (BA15d)	12.0V 12.0V	1.4±20% 0.57±20%	21 ±20% 6 ±20%	C-6 C-6	300	1	ISSUED	12/15/2014	R.M.



Note: Made according to SAE specifications

UNLESS OTHERWISE SPECIFIED: DIMENSIONS ARE IN INCHES TOLERANCES		CEC INDUSTRIES LTD			
DECIMALS .XX ± .05		599 BOND STREET		LINCOLNSHIRE, IL 60069	
ANGULAR .XXX ± .010		TITLE LIGHT BULB NO. 12V-G6-DCI			
FRACTIONAL ±1/64		DATE 12/15/2014		REV 1	
DRAWN ROSE MEDINA	CHECKED	SIZE A	FSCM NO.	DWG NO. 12V-G6-DCI	REV 1
DESIGN	MATERIAL	SCALE	PLOT SCALE	SHEET 1 OF 1	
		FILE 12V-G6-DCI .pdf	DRAWING NOT TO SCALE		