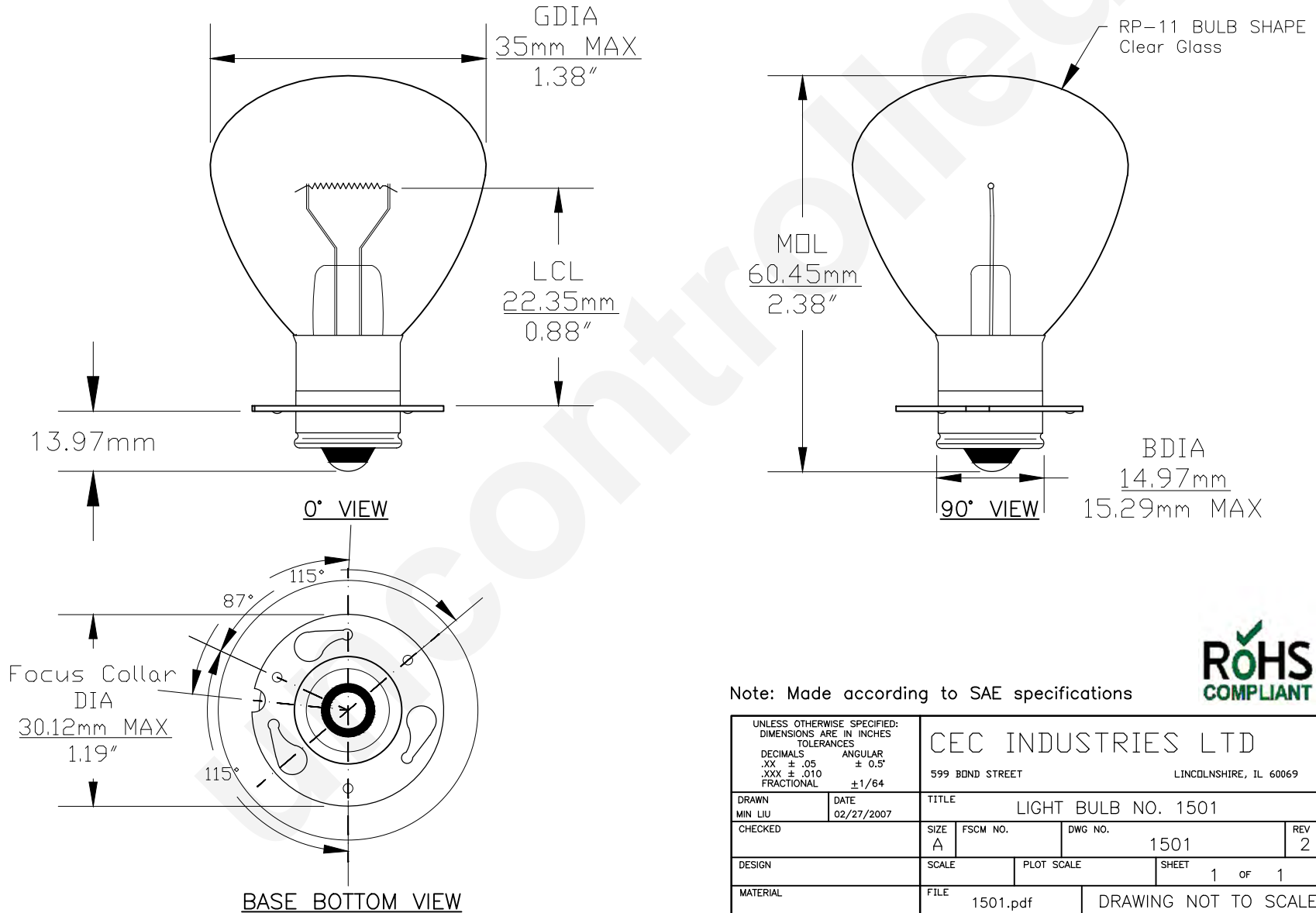




PART NO.	BASE TYPE	DESIGN VOLTS	DESIGN AMPS	MSCD	FILAMENT TYPE	AVERAGE LIFE HOURS	REVISIONS			
							REV #	DESCRIPTION	DATE	APPROVED
1501	S.C. Prefocus B (P15s30B)	5.9V	6.36±15%	50 ±30%	C-6	200	1	REDREW THE BASE WITH SINGLE PREF	11/06/2007	S.L.
							2	REDRAWN FOR ADDITIONAL DIMENSIONS	11/07/2014	R.M.



Note: Made according to SAE specifications



UNLESS OTHERWISE SPECIFIED: DIMENSIONS ARE IN INCHES TOLERANCES		CEC INDUSTRIES LTD			
DECIMALS .XX ± .05		599 BOND STREET		LINCOLNSHIRE, IL 60069	
ANGULAR .XXX ± .010		TITLE LIGHT BULB NO. 1501			
FRACTIONAL ±1/64		SIZE A	FSCM NO.	DWG NO. 1501	REV 2
DRAWN MIN LIU	DATE 02/27/2007	SCALE	PLOT SCALE	SHEET 1 OF 1	
CHECKED	DESIGN	MATERIAL	FILE 1501.pdf	DRAWING NOT TO SCALE	