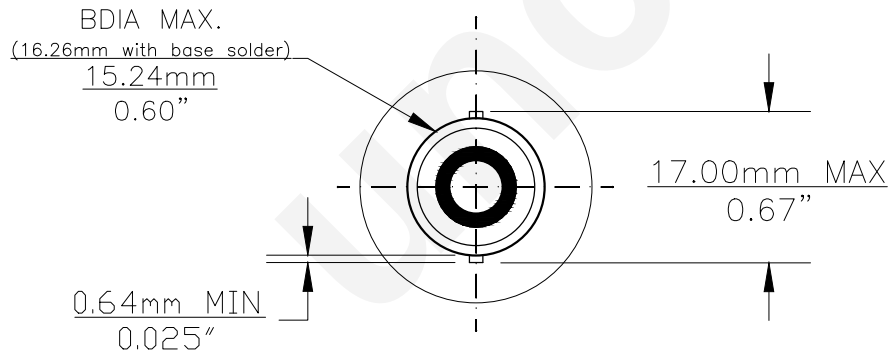
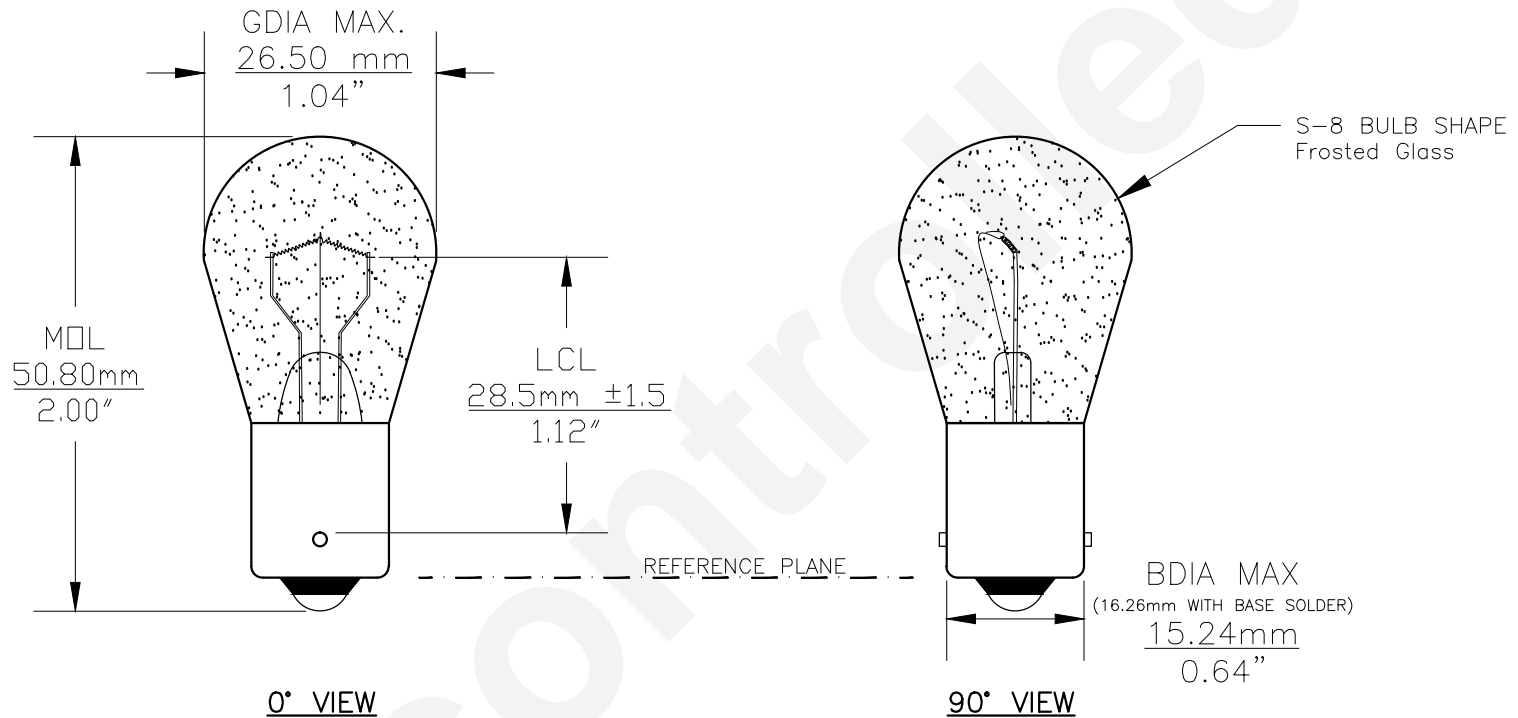




PART NO.	BASE TYPE	DESIGN VOLTS	DESIGN AMPS	MSCD	FILAMENT TYPE	AVERAGE LIFE HOURS	REVISIONS			
							REV #	DESCRIPTION	DATE	APPROVED
1665IF	S.C. Bayonet (BA15s)	28.0V	0.80±5%	21±10%	C-2V	1000	1	ISSUED	06/26/2003	D.C.
							2	C-6 TYPING ERROR, CHANGED TO C-2V	06/28/2003	D.C.
							3	REDRAWN TO ADD VIEW	10/22/2014	R.M.



Note: Made according to SAE specifications



UNLESS OTHERWISE SPECIFIED: DIMENSIONS ARE IN INCHES TOLERANCES		CEC INDUSTRIES LTD			
DECIMALS	ANGULAR	599 BOND STREET		LINCOLNSHIRE, IL 60069	
.XX ± .05	± 0.5°	TITLE		LIGHT BULB NO. 1665IF (INSIDE FROSTED)	
.XXX ± .010	± 1/64	DATE	06/26/2003	DWG NO.	1665IF
FRACTIONAL		CHECKED		REV	3
DRAWN		SCALE	PLOT SCALE	SHEET 1 OF 1	
D. C.		FILE		DRAWING NOT TO SCALE	
MATERIAL		1665IF.pdf			