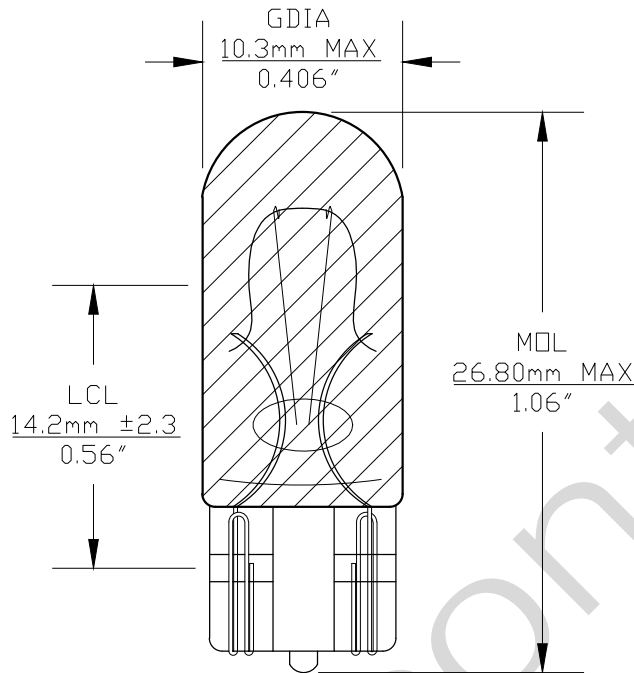
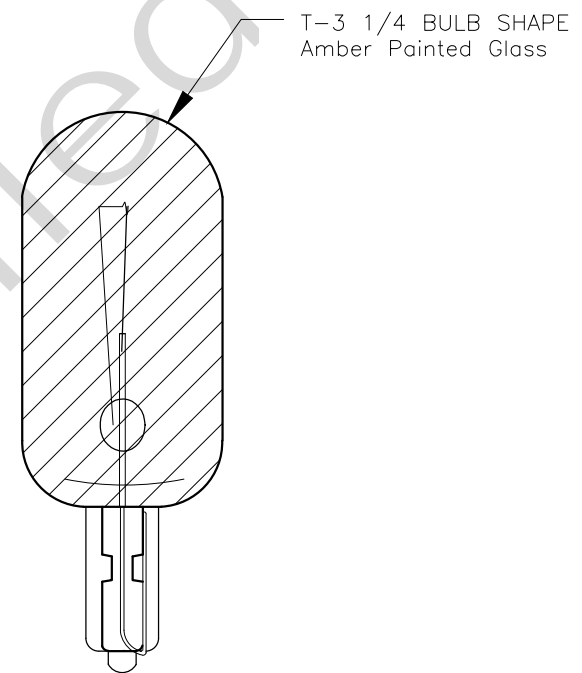




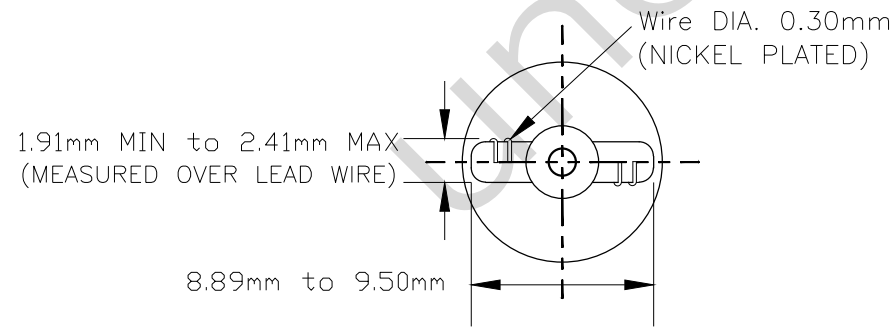
PART NO.	BASE TYPE	DESIGN VOLTS	DESIGN AMPS	MSCD	FILAMENT TYPE	AVERAGE LIFE HOURS	REVISIONS			
							REV #	DESCRIPTION	DATE	APPROVED
194A	Glass Wedge T-3 1/4 (W2.1X9.2d)	14.0V	0.27±10%	1.5±30%	C-2F	2500	1	ISSUED	05/23/2014	R.M.
							2	REVISED LIFE HOURS FROM 1500	07/28/2020	R.M.



0° VIEW



90° VIEW



BASE BOTTOM VIEW



UNLESS OTHERWISE SPECIFIED: DIMENSIONS ARE IN INCHES TOLERANCES		CEC INDUSTRIES LTD			
DECIMALS .XX ± .05		ANGULAR ± 0.5°		599 BOND STREET LINCOLNSHIRE, IL 60069	
.XXX ± .010		FRACTIONAL ± 1/64		TITLE LIGHT BULB NO. 194A	
DRAWN R. M.	DATE 05/23/2014	SIZE A	FSCM NO.	DWG NO. 194A	REV 2
CHECKED	DESIGN	SCALE	PLOT SCALE	SHEET 1 OF 1	
MATERIAL	FILE 194A.pdf	DRAWING NOT TO SCALE			