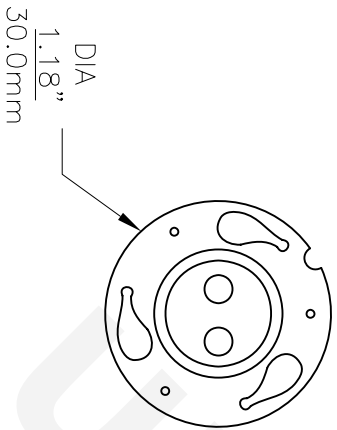
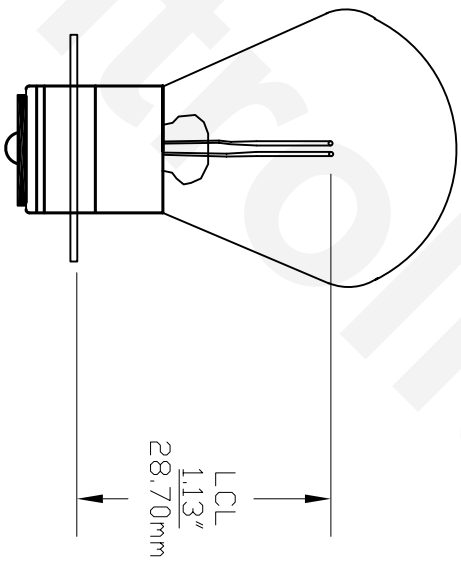
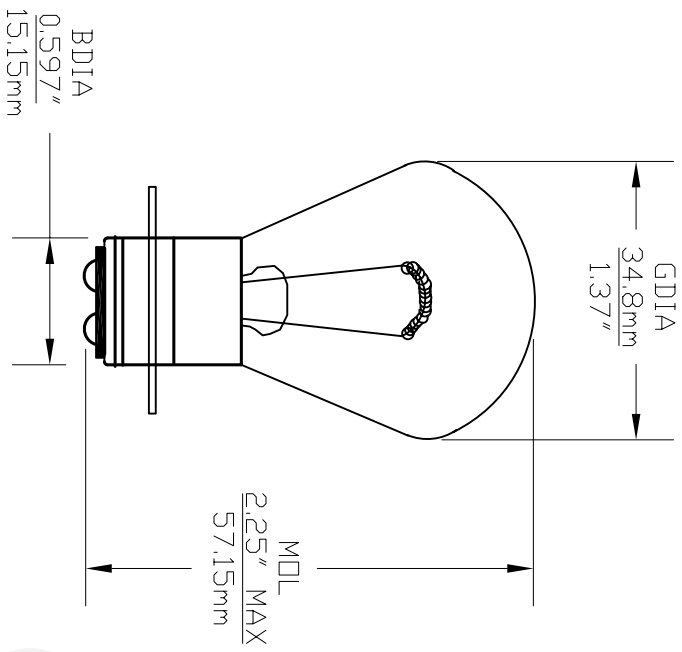


PART NO.	BASE TYPE	DESIGN VOLTS	DESIGN AMPS	FILAMENT TYPE	APPROXIMATE CANDLEPOWER	AVG LIFE HRS.
2336	DC Pre-Focus	12.5	2.2	C-2V C-2R	32	300

REVISIONS				
ZONE	REV	DESCRIPTION	DATE	APPROVED



UNLESS OTHERWISE SPECIFIED: DIMENSIONS ARE IN INCHES TOLERANCES				599 BOND STREET CEC INDUSTRIES LTD LINCOLNSHIRE, IL 60069			
DECIMALS .XX ± .05	ANGULAR ± 0.5°	DATE 03/11/2005		TITLE LIGHT BULB NO. 2336		DRAWN Dennis Clark	
FRACTIONAL ± 1/64		SIZE A	FSCM NO.	DWG NO. 2336	CHECKED		REV
		SCALE	PLOT SCALE	SHEET 1 OF 1	DESIGN		
MATERIAL		FILE 2336.dwg	DO NOT SCALE DRAWING				