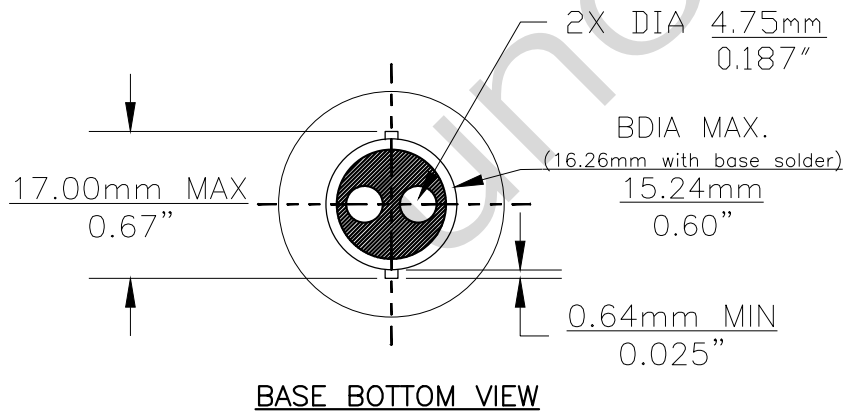
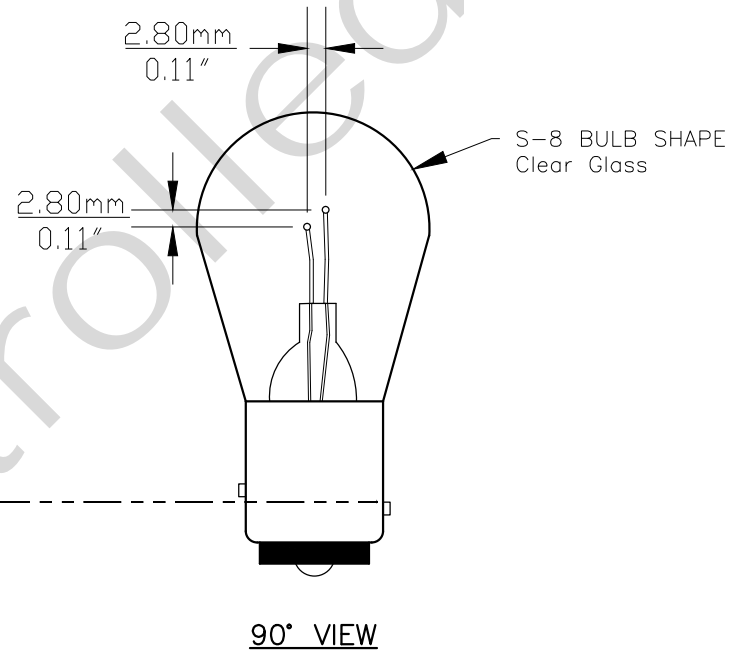
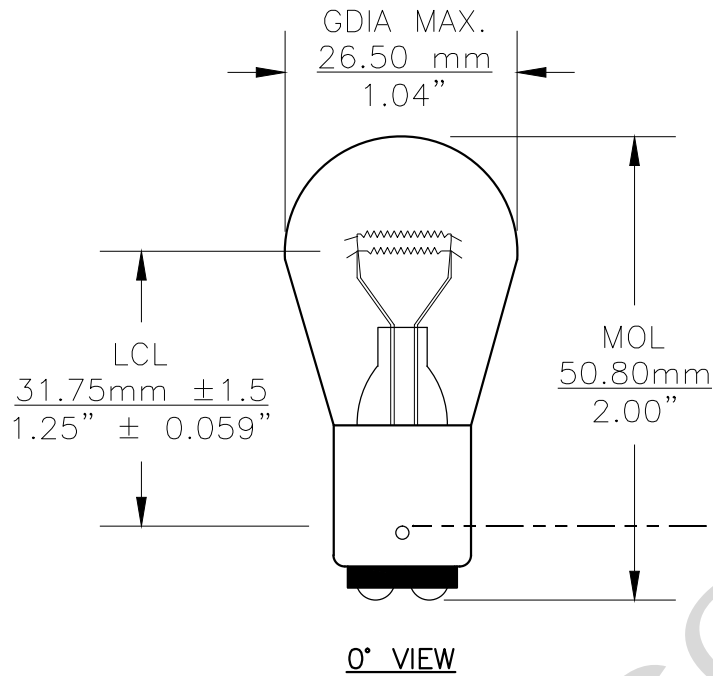




PART NO.	BASE TYPE	DESIGN VOLTS	DESIGN AMPS	MSCD	FILAMENT TYPE	AVERAGE LIFE HOURS	REVISIONS			
							REV #	DESCRIPTION	DATE	APPROVED
2357	D.C. INDEX BAY15d	12.8V 14V	2.23± 5% 0.59± 8%	40±10% 3±12%	C-6 C-6	400 5000	1	ISSUED	01/23/2011	D.C.
							2	UPDATED AMP & MSCD TOLERANCE, UPDATED ADDRESS, CORRECTED PIN LOCATION	05/24/2011	D.C.
							3	REVISED FILAMENT DISTANCE/AMPS	03/23/2018	R.M.



Note: Made according to SAE specifications

UNLESS OTHERWISE SPECIFIED: DIMENSIONS ARE IN INCHES TOLERANCES		CEC INDUSTRIES LTD			
DECIMALS	ANGULAR	599 BOND STREET		LINCOLNSHIRE, IL 60069	
.XX ± .05	± 0.5°	TITLE LIGHT BULB NO. 2357			
.XXX ± .010		SIZE A	FSCM NO.	DWG NO. 2357	REV 3
FRACTIONAL	±1/64	DESIGN	SCALE	PLOT SCALE	SHEET 1 OF 1
DRAWN ELIZABETH SONANES 01/23/2001		MATERIAL		FILE 2357.pdf	DRAWING NOT TO SCALE