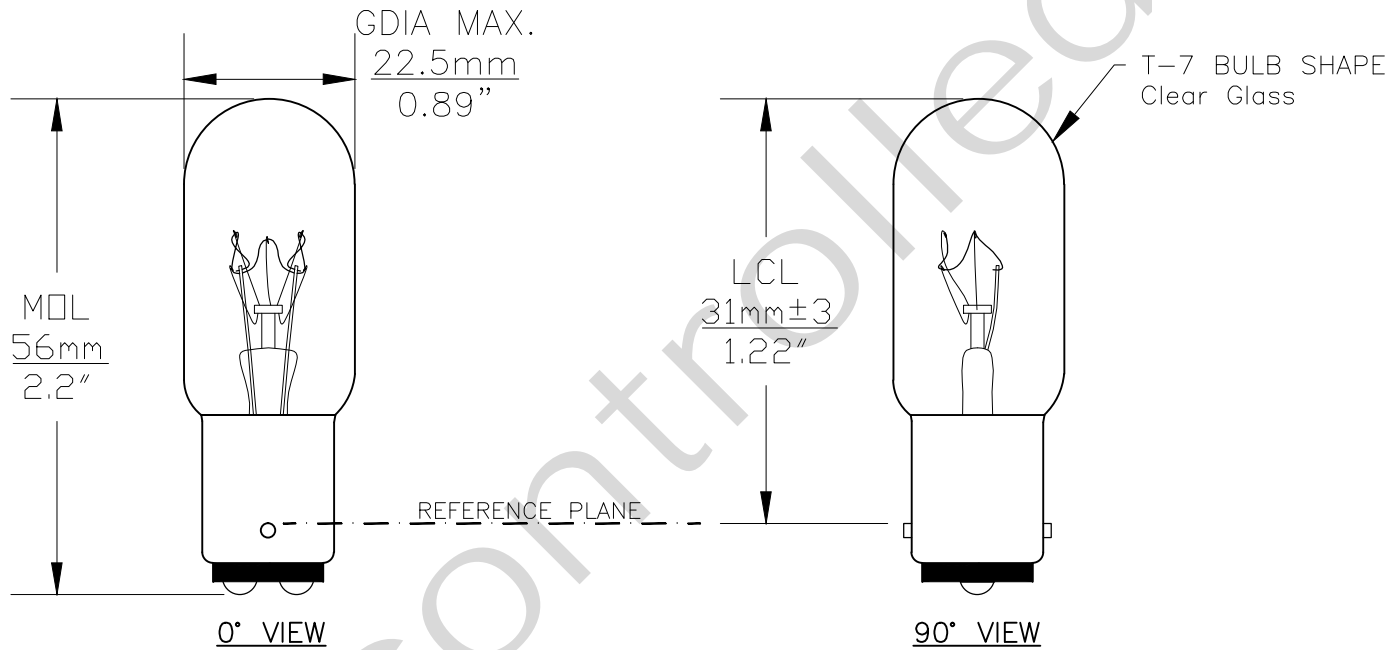




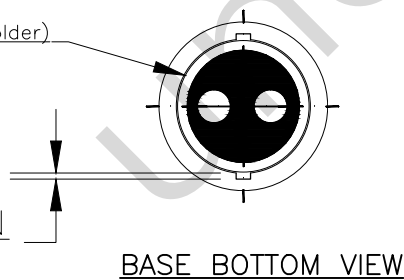
Since 1959

PART NO.	BASE TYPE	DESIGN VOLTS	DESIGN AMPS	LUMENS	FILAMENT TYPE	AVERAGE LIFE HOURS	REVISIONS			
							REV #	DESCRIPTION	DATE	APPROVED
25T7DC/120V	S.C. Bayonet (BA15d)	120V	0.208±10%	180±25%	C5A	1000	1	ISSUED	06/04/2018	R.M.



BDIA MAX.  
(16.26mm with base solder)  
15.24mm  
0.60"

0.64mm MIN  
0.025"



Note: Made according to SAE specifications



UNLESS OTHERWISE SPECIFIED: DIMENSIONS ARE IN INCHES TOLERANCES		CEC INDUSTRIES LTD			
DECIMALS	ANGULAR	599 BOND STREET		LINCOLNSHIRE, IL 60069	
.XX ± .05	± 0.5°	TITLE LIGHT BULB NO. 25T7DC/120V			
.XXX ± .010		SIZE A	FSCM NO.	DWG NO. 25T7DC/120V	REV 1
FRACTIONAL	± 1/64	SCALE	PLOT SCALE	SHEET 1 OF 1	
DRAWN ROSE MEDINA		DATE 06/04/2018		MATERIAL	
CHECKED		FILE 25T7DC-120V.pdf		DRAWING NOT TO SCALE	