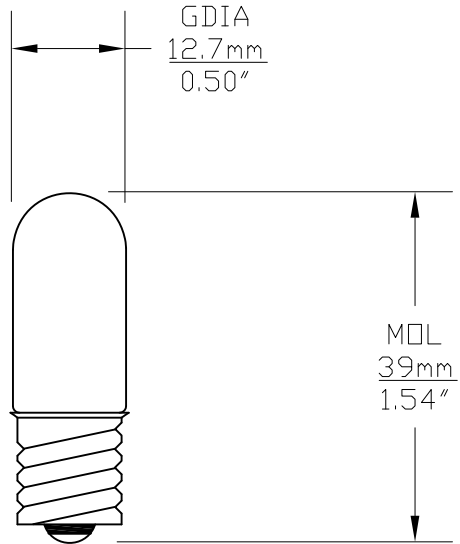


REVISIONS			
REV	DESCRIPTION	DATE	APPROVED
1	ISSUED	07/18/2013	D.C.

PART NO.	BASE TYPE	DESIGN VOLTS	DESIGN AMPS	WATTS	LUMENS	FILAMENT TYPE	AVERAGE LIFE HOURS
2T4-C-18V	CANDELABRA SCREW E12	18	0.11	2	10	C-6	1,000



UNLESS OTHERWISE SPECIFIED: DIMENSIONS ARE IN INCHES TOLERANCES		CEC INDUSTRIES LTD			
DECIMALS .XX ± .05 .XXX ± .010 FRACTIONAL ± 1/64		599 BOND STREET		LINCOLNSHIRE, IL 60069	
DRAWN D.C.		TITLE			
DATE 07/18/2013		LIGHT BULB NO. 2T4-C-18V			
CHECKED		SIZE A	FSCM NO.	DWG NO. 2T4-C-18V	REV 1
DESIGN		SCALE		PLOT SCALE	SHEET 1 OF 1
MATERIAL		FILE 2T4-C-18V.dwg		DO NOT SCALE DRAWING	