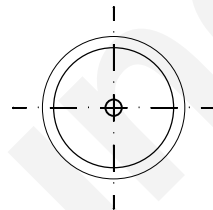
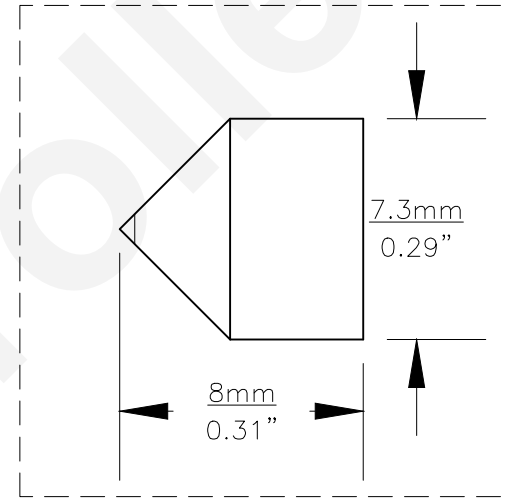
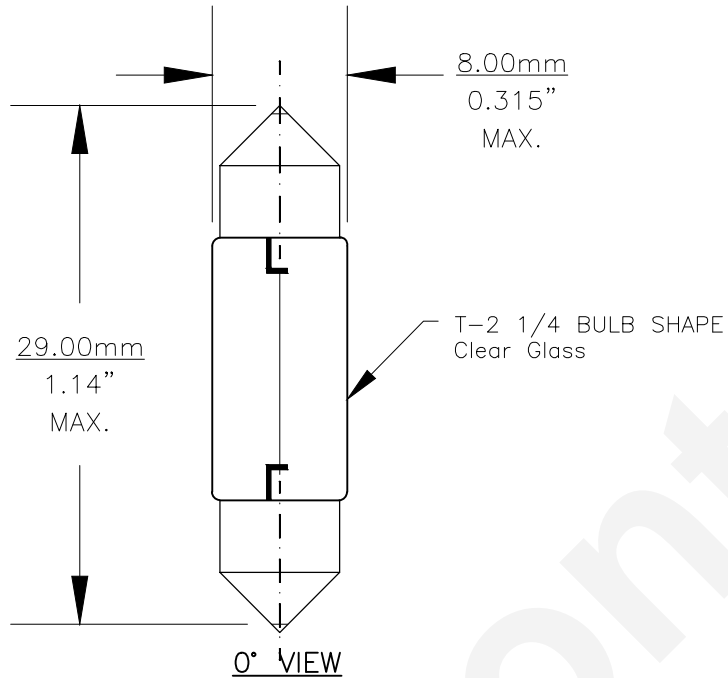




PART NO.	BASE TYPE	DESIGN VOLTS	DESIGN AMPS	MSCD	FILAMENT TYPE	AVERAGE LIFE HOURS	REVISIONS			
							REV #	DESCRIPTION	DATE	APPROVED
3021	FESTOON CAP	12.0V	0.25±15%	2.0±30%	C-8	1000	1	ISSUED	06/22/2001	E.S.
							2	UPDATED DIMENSIONS	07/22/2005	D.C.
							3	REDRAWN FOR ADDITIONAL VIEWS	09/03/2014	R.M.



Note: Made according to SAE specifications

UNLESS OTHERWISE SPECIFIED: DIMENSIONS ARE IN INCHES TOLERANCES		CEC INDUSTRIES LTD			
DECIMALS .XX ± .05		599 BOND STREET		LINCOLNSHIRE, IL 60069	
ANGULAR .XXX ± .010		TITLE LIGHT BULB NO. 3021			
FRACTIONAL ± 1/64		DATE 06/22/2001	SIZE A	DWG NO. 3021	REV 3
DRAWN ELIZABETH SONANES	CHECKED	DESIGN	SCALE	PLOT SCALE	SHEET 1 OF 1
MATERIAL		FILE 3021.pdf	DRAWING NOT TO SCALE		