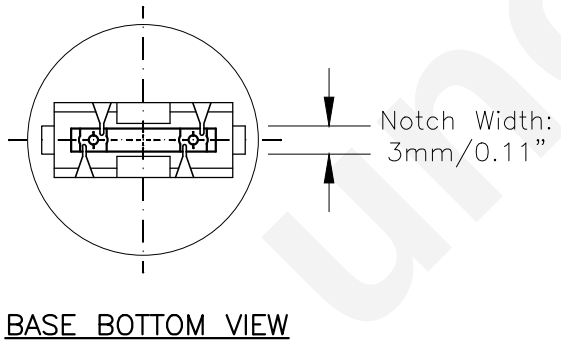
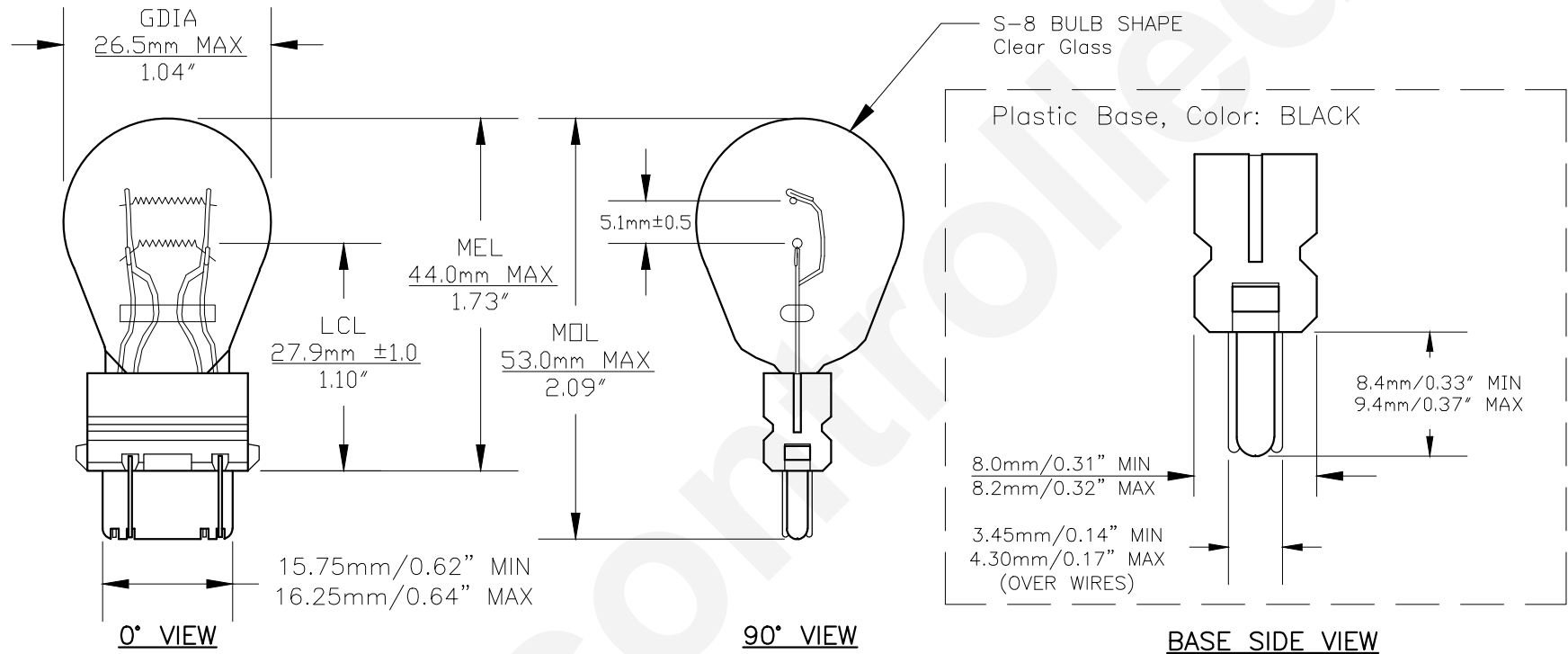




| PART NO. | BASE TYPE                   | DESIGN VOLTS   | DESIGN AMPS        | MSCD             | FILAMENT TYPE | AVERAGE LIFE HOURS                    | REVISIONS |                                    |            |          |
|----------|-----------------------------|----------------|--------------------|------------------|---------------|---------------------------------------|-----------|------------------------------------|------------|----------|
|          |                             |                |                    |                  |               |                                       | REV #     | DESCRIPTION                        | DATE       | APPROVED |
| 3047LL   | D.F. Plastic Wedge W2.5X16q | 12.8V<br>14.0V | 1.60±8%<br>0.48±8% | 21±10%<br>2 ±12% | C-6<br>C-6    | 2000 $\phi$ 12.8V<br>10000 $\phi$ 14V | 1         | ISSUED                             | 07/06/2009 | D.C.     |
|          |                             |                |                    |                  |               |                                       | 2         | ADDED FILAMENT DISTANCE DIMENSIONS | 10/04/2018 | R.M.     |



Note: Made according to SAE specifications

|   |                    |                                |                      |                        |          |
|---|--------------------|--------------------------------|----------------------|------------------------|----------|
| UNLESS OTHERWISE SPECIFIED:<br>DIMENSIONS ARE IN INCHES<br>TOLERANCES |                    | CEC INDUSTRIES LTD             |                      |                        |          |
| DECIMALS  | ANGULAR            | 599 BOND STREET                |                      | LINCOLNSHIRE, IL 60069 |          |
| .XX ± .05   | ± 0.5°             |                                |                      |                        |          |
| .XXX ± .010   |                    |                                |                      |                        |          |
| FRACTIONAL  | ±1/64              |                                |                      |                        |          |
| DRAWN<br>D. C.  | DATE<br>07/06/2009 | TITLE<br>LIGHT BULB NO. 3047LL |                      |                        |          |
| CHECKED   |                    | SIZE<br>A                      | FSCM NO.             | DWG NO.<br>3047LL      | REV<br>2 |
| DESIGN  |                    | SCALE                          | PLOT SCALE           | SHEET 1 OF 1           |          |
| MATERIAL  |                    | FILE<br>3047LL.pdf             | DRAWING NOT TO SCALE |                        |          |