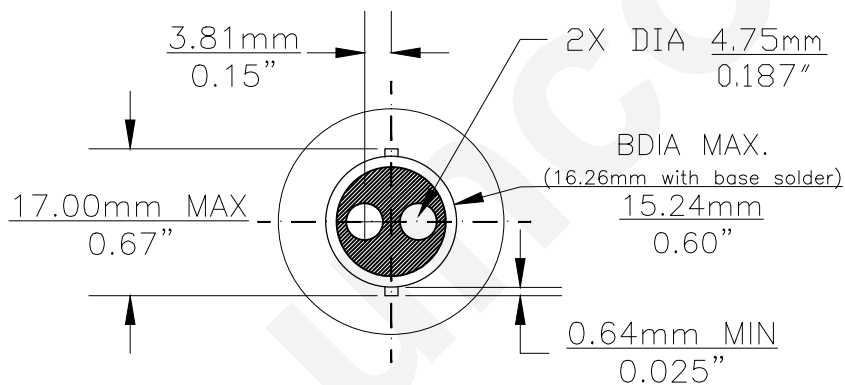
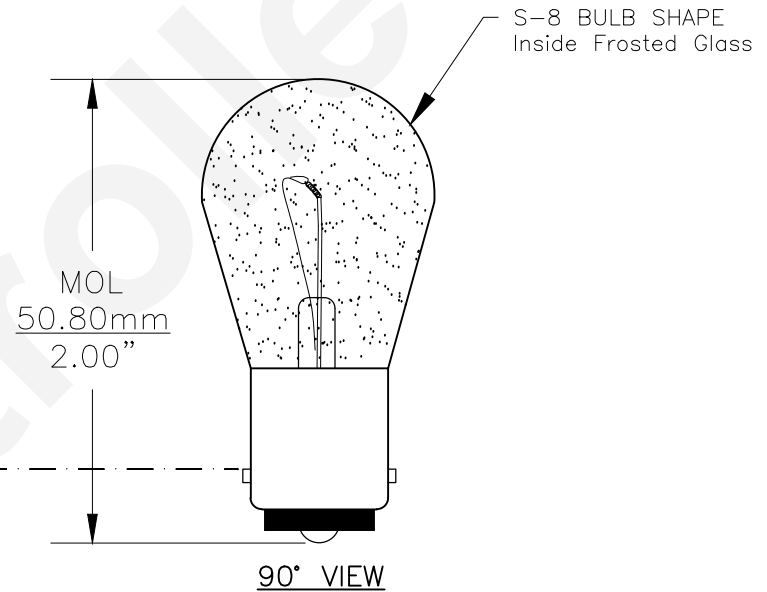
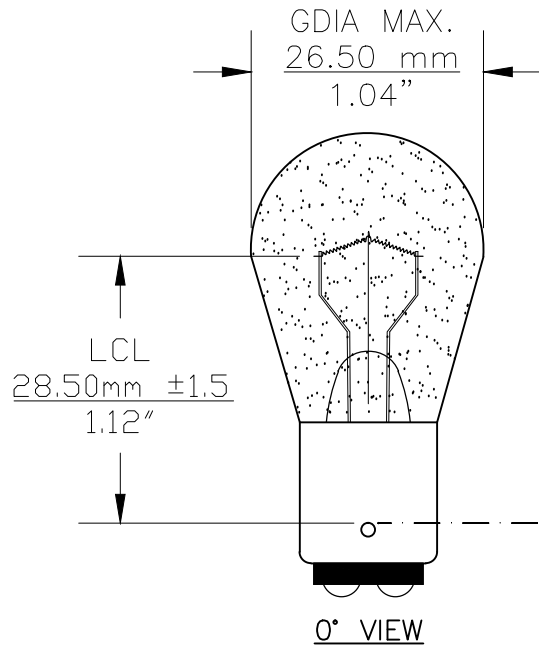




PART NO.	BASE TYPE	DESIGN VOLTS	DESIGN AMPS	MSCD	FILAMENT TYPE	AVERAGE LIFE HOURS	REVISIONS			
							REV #	DESCRIPTION	DATE	APPROVED
3061F	D.C. BAYONET (BA15d)	28.0V	0.51±10%	15±15%	C-2V	300	1	ISSUED	10/24/2014	R.M.



Note: Made according to SAE specifications

UNLESS OTHERWISE SPECIFIED: DIMENSIONS ARE IN INCHES TOLERANCES		CEC INDUSTRIES LTD			
DECIMALS	ANGULAR	599 BOND STREET		LINCOLNSHIRE, IL 60069	
.XX ± .05	± 0.5°	TITLE LIGHT BULB NO. 3061F			
.XXX ± .010	± 1/64	CHECKED	DATE	SIZE	FSCM NO.
FRACTIONAL	± 1/64	ROSE MEDINA	10/24/2014	A	DWG NO.
				3061F	
				REV	1
		DESIGN	SCALE	PLOT SCALE	SHEET 1 OF 1
				DRAWING NOT TO SCALE	
		MATERIAL	FILE	3061F.pdf	