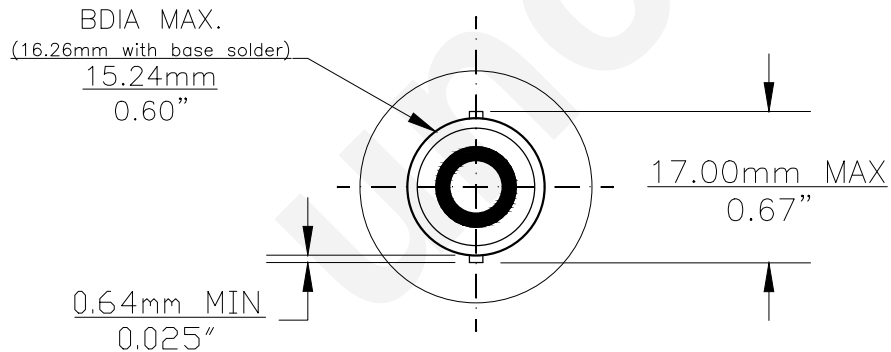
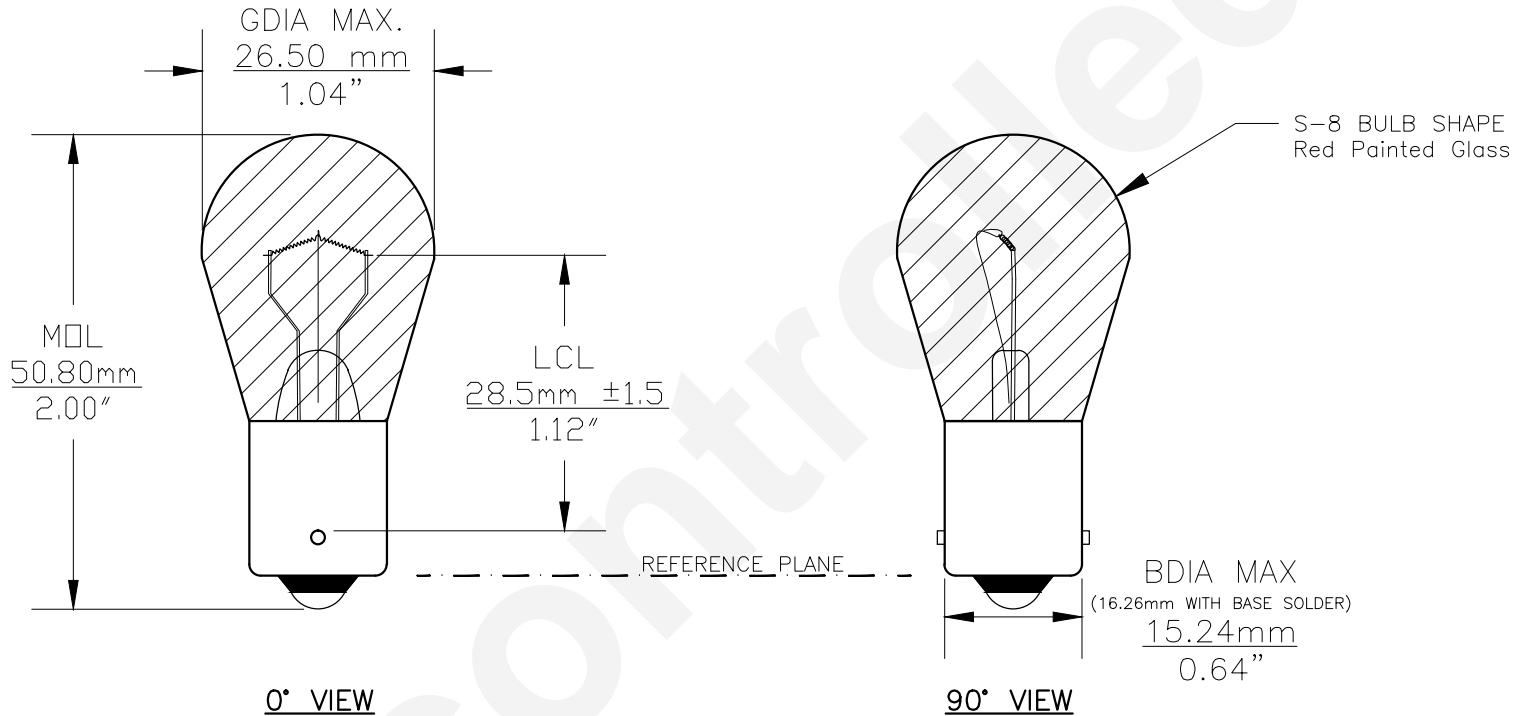




Since 1959

PART NO.	BASE TYPE	DESIGN VOLTS	DESIGN AMPS	MSCD	FILAMENT TYPE	AVERAGE LIFE HOURS	REVISIONS			
							REV #	DESCRIPTION	DATE	APPROVED
307R	S.C. Bayonet (BA15s)	28.0V	0.67±5%	21±30%	C-2V	300	1	ISSUED	10/22/2014	R.M.



UNLESS OTHERWISE SPECIFIED: DIMENSIONS ARE IN INCHES TOLERANCES		CEC INDUSTRIES LTD			
DECIMALS	ANGULAR	599 BOND STREET		LINCOLNSHIRE, IL 60069	
.XX ± .05	± 0.5°	TITLE LIGHT BULB NO. 307R (RED PAINTED)			
.XXX ± .010	± 1/64	DATE 10/22/2014	SIZE A	FSCM NO.	DWG NO. 307R
FRACTIONAL		CHECKED	REV 1	SCALE	PLOT SCALE
		DESIGN	SHEET 1 OF 1	DRAWING NOT TO SCALE	
		MATERIAL	FILE 307R.pdf		