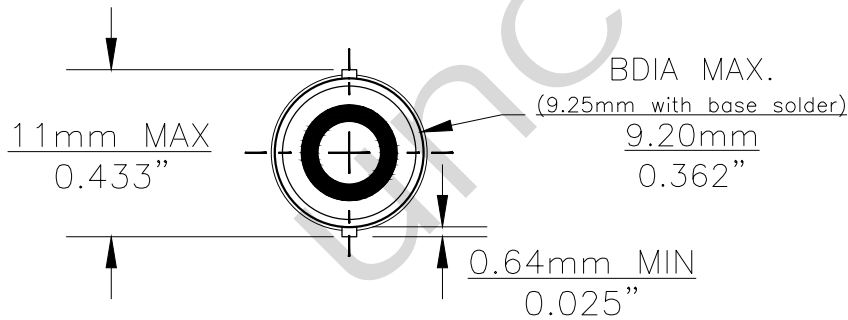
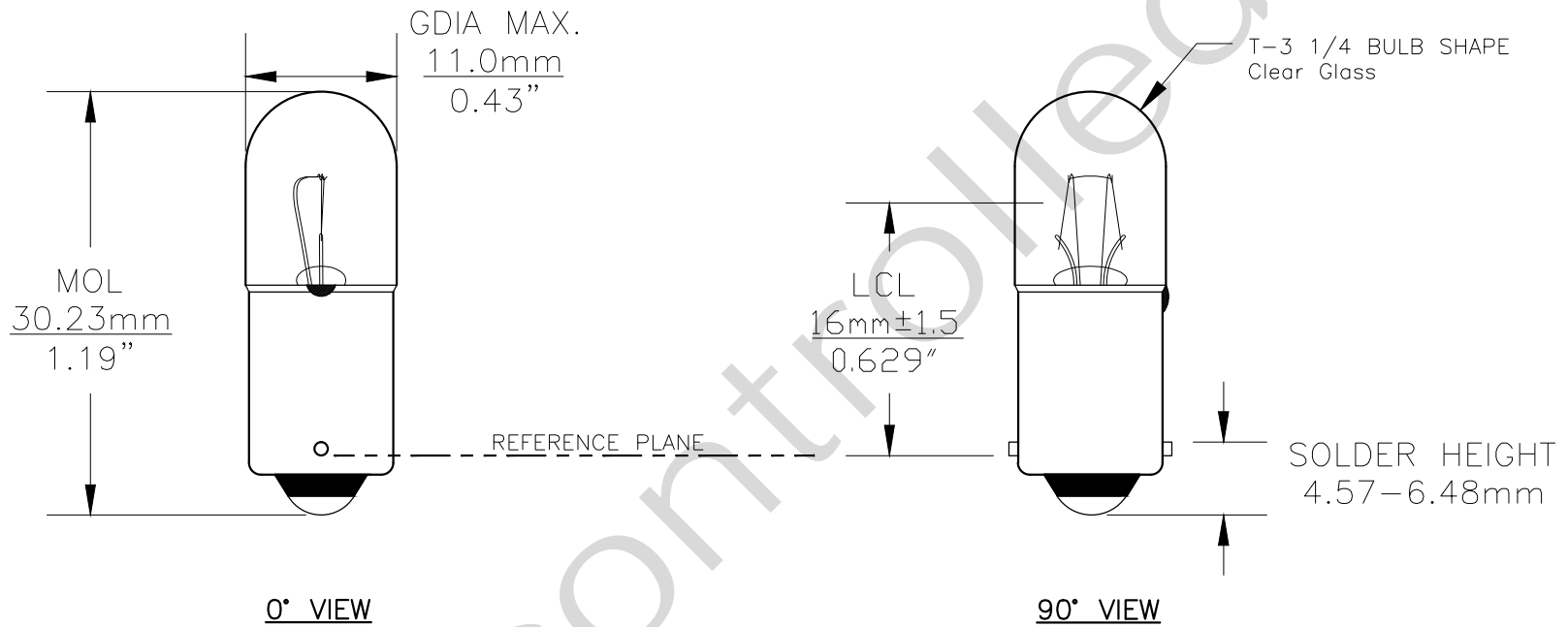




PART NO.	BASE TYPE	DESIGN VOLTS	DESIGN AMPS	MSCD	FILAMENT TYPE	AVERAGE LIFE HOURS	REVISIONS			
							REV #	DESCRIPTION	DATE	APPROVED
313	MINIATURE BAYONET (BA9s)	28.0V	0.17±10%	3.5±20%	C-2F	500	1	ISSUED	04/07/2021	M.L.



Note: Made according to SAE specifications

UNLESS OTHERWISE SPECIFIED: DIMENSIONS ARE IN INCHES TOLERANCES		CEC INDUSTRIES LTD			
DECIMALS .XX ± .05	ANGULAR .XXX ± .010	599 BOND STREET		LINCOLNSHIRE, IL 60069	
FRACTIONAL ±1/64		TITLE LIGHT BULB NO. 313			
DRAWN ROSE MEDINA	DATE 04/07/2021	SIZE A	FSCM NO.	DWG NO. 313	REV 1
DESIGN	SCALE	PLOT SCALE	SHEET 1 OF 1		
MATERIAL	FILE 313.pdf	DRAWING NOT TO SCALE			