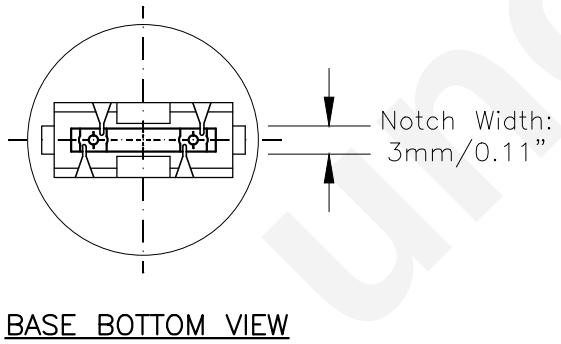
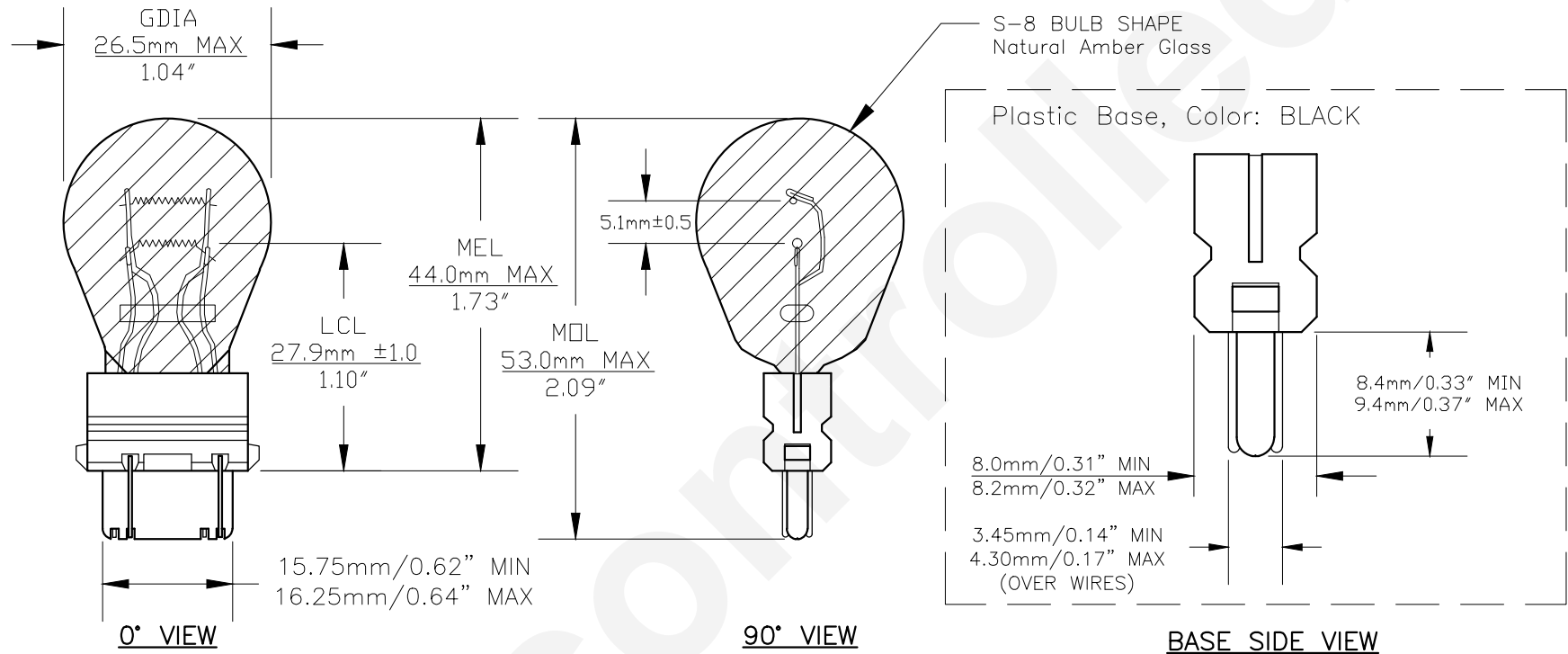




PART NO.	BASE TYPE	DESIGN VOLTS	DESIGN AMPS	MSCD	FILAMENT TYPE	AVERAGE LIFE HOURS	REVISIONS			
							REV #	DESCRIPTION	DATE	APPROVED
3157NALL	D.F. Plastic Wedge W2.5X16q	12.8V 14.0V	2.10±5% 0.59±8%	24±30% 2.2±30%	C-6 C-6	2000 10000	1	ISSUED	07/19/2001	S.L.
							2	ADDITIONAL DIMENSIONS	10/30/2008	D.C.
							3	ADDED FILAMENT DISTANCE DIMENSIONS	10/04/2018	R.M.



Note: Made according to SAE specifications



UNLESS OTHERWISE SPECIFIED: DIMENSIONS ARE IN INCHES TOLERANCES		CEC INDUSTRIES LTD	
DECIMALS	ANGULAR	599 BOND STREET LINCOLNSHIRE, IL 60069	
.XX ± .05	± 0.5°	TITLE LIGHT BULB NO. 3157NALL	
.XXX ± .010		SIZE A	REV 3
FRACTIONAL	±1/64	FSCM NO.	DWG NO. 3157NALL
DRAWN SIDNEY LIU	DATE 07/19/2001	SCALE	SHEET 1 OF 1
CHECKED		PLOT SCALE	DRAWING NOT TO SCALE
DESIGN		FILE 3157NALL.pdf	
MATERIAL			