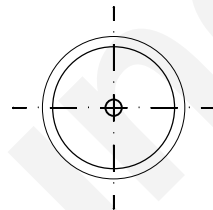
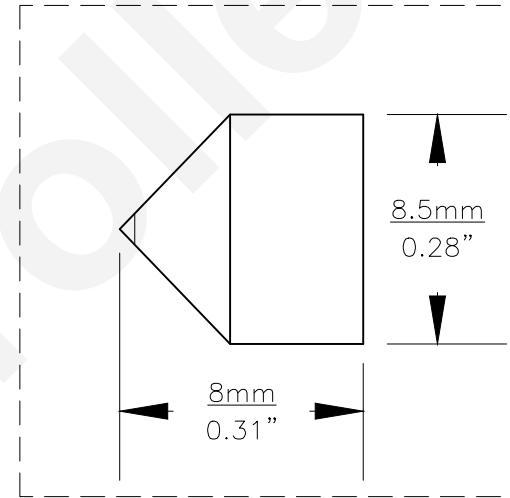
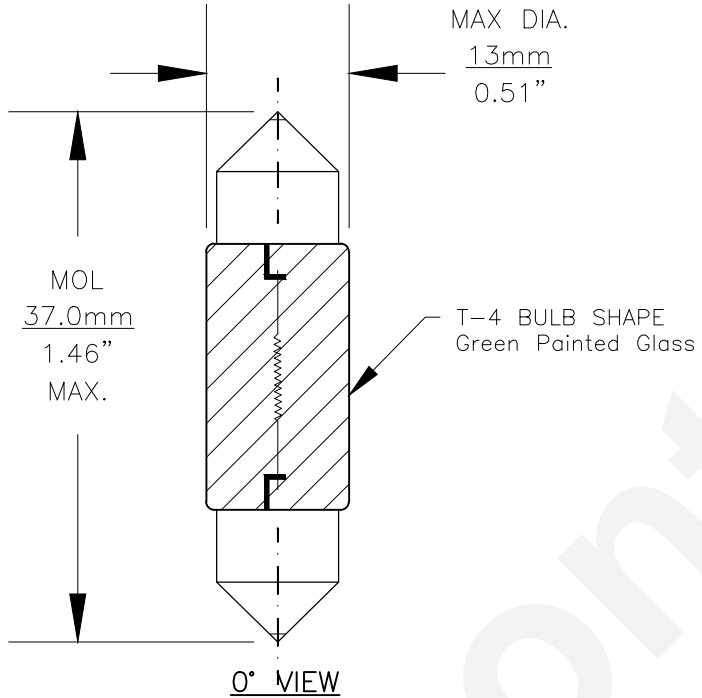




PART NO.	BASE TYPE	DESIGN VOLTS	DESIGN AMPS	MSCD	FILAMENT TYPE	AVERAGE LIFE HOURS	REVISIONS			
							REV #	DESCRIPTION	DATE	APPROVED
3423G	FESTOON CAP (SV8.5-8)	12.0V	0.42±15%	4.0±20%	C-8	500	1	ISSUED	06/02/2014	R.M.
							2	BULB SHAPE REVISION	02/09/2017	R.M.



Note: Made according to SAE specifications

UNLESS OTHERWISE SPECIFIED: DIMENSIONS ARE IN INCHES TOLERANCES		CEC INDUSTRIES LTD			
DECIMALS .XX ± .05		599 BOND STREET		LINCOLNSHIRE, IL 60069	
ANGULAR .XXX ± .010		TITLE LIGHT BULB NO. 3423G			
FRACTIONAL ±1/64		DATE 06/02/2014		REV 2	
DRAWN ROSE MEDINA	CHECKED	SIZE A	FSCM NO.	DWG NO. 3423G	
DESIGN	MATERIAL	SCALE	PLOT SCALE	SHEET 1 OF 1	
		FILE 3423G.pdf	DRAWING NOT TO SCALE		