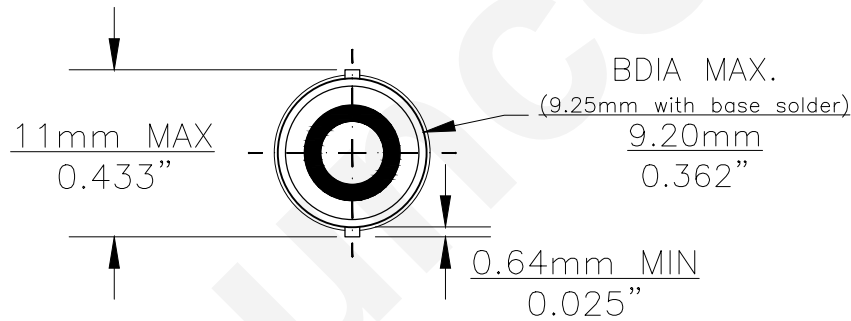
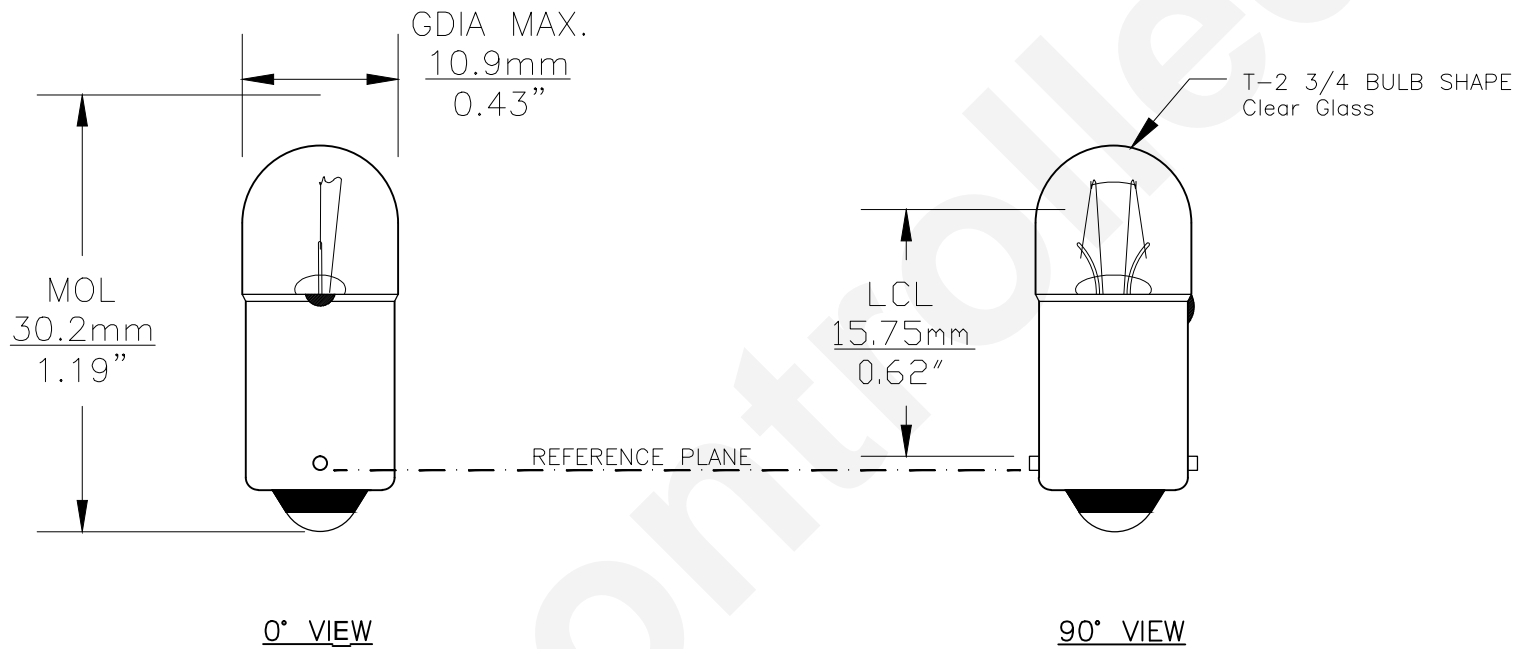




PART NO.	BASE TYPE	DESIGN VOLTS	DESIGN AMPS	MSCD	FILAMENT TYPE	AVERAGE LIFE HOURS	REVISIONS			
							REV #	DESCRIPTION	DATE	APPROVED
3930	MINIATURE BAYONET (BA9s)	24.0V	0.17±20%	2.8±20%	C-2F	2000	1	ISSUED	06/03/2014	S.L.
							2	REDRAWN FOR ADDITIONAL VIEWS	09/03/2014	R.M.



Note: Made according to ECE/R37 specifications

UNLESS OTHERWISE SPECIFIED: DIMENSIONS ARE IN INCHES TOLERANCES		CEC INDUSTRIES LTD			
DECIMALS	ANGULAR	599 BOND STREET		LINCOLNSHIRE, IL 60069	
.XX ± .05	± 0.5°				
.XXX ± .010					
FRACTIONAL	± 1/64				
DRAWN SIDNEY LIU	DATE 06/03/2014	TITLE LIGHT BULB NO. 3930 (T4W 24V)			
CHECKED	SIZE A	FSCM NO.	DWG NO. 3930	REV 2	
DESIGN	SCALE	PLOT SCALE	SHEET 1 OF 1		
MATERIAL	FILE 3930.pdf	DRAWING NOT TO SCALE			

BASE BOTTOM VIEW