



Since 1959

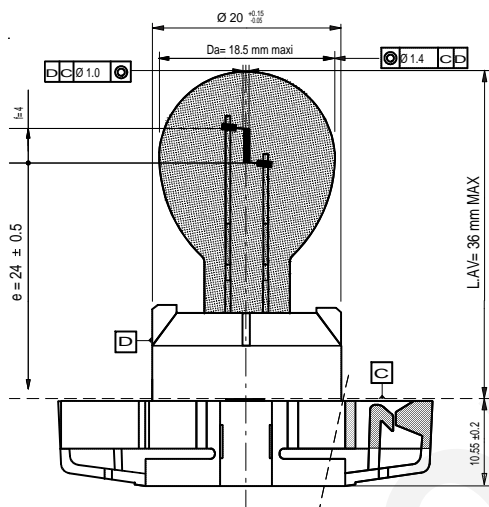
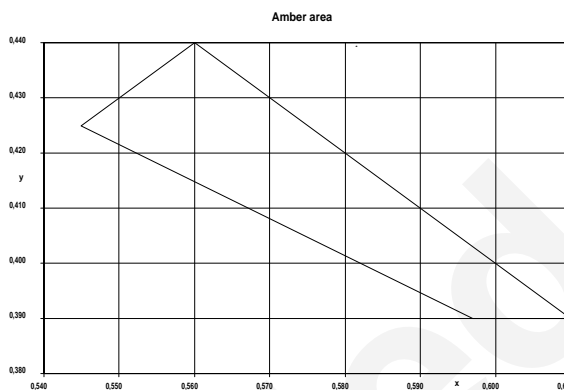
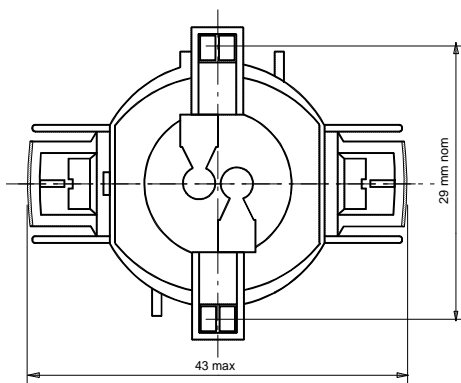
Product Information Sheet

PY24W 12V Amber Glass

HiPer E18 PY24W 12V PGU20/4 NA

5200

Date : 08/29/2008



Dimensions in mm

BULB NOT MANUFACTURED BY CEC INDUSTRIES

Turn signal

PY24W 12V

Cap : PGU20/4

IEC 61-1 / 7004-127-

Type : 12190

Code Nr : 9246 541 171

C-8Z

Straight-axial -"Z" shape

ECE R37

E4 2LW

Made in France, Chartres

Colour

Required area ECE R37

Photometric values

Photometry voltage 13,5V DC
 Power 24,00 W ±4,1%
 Luminous flux 300,0 lm +15/-25%

Mechanical values

Mechanical bulb resistance 40,0 N min.

Reliability

Life test voltage 13,5V DC
 Life test cycle 90/min - 50% - 15"ON/15"OFF (Blinking)
 Lumen maintenance at 1 200 h
 Lumen maintenance 70,0 % min.
 Colour maintenance at 1 200 h
 Life : Tc 2 400 h
 Life : B3 1 200 h

Resistance to environment

Maximum permissible bulb temperature 350 °C max.

Product specifications are subject to modification without prior notice

CEC INDUSTRIES LTD

599 Bond St, Lincolnshire, IL 60069