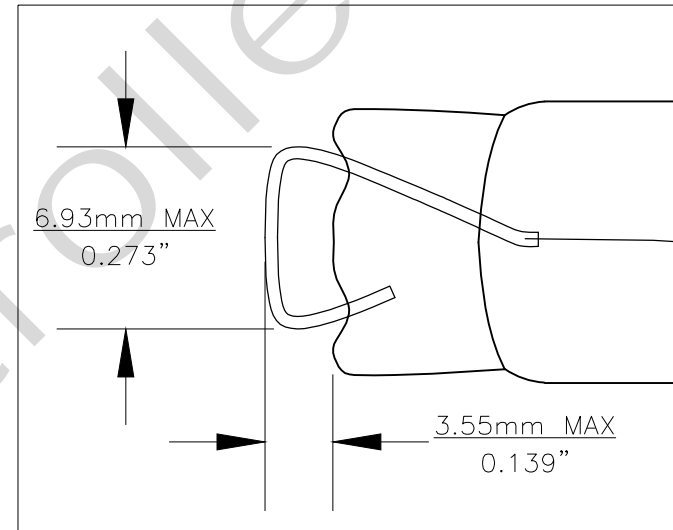
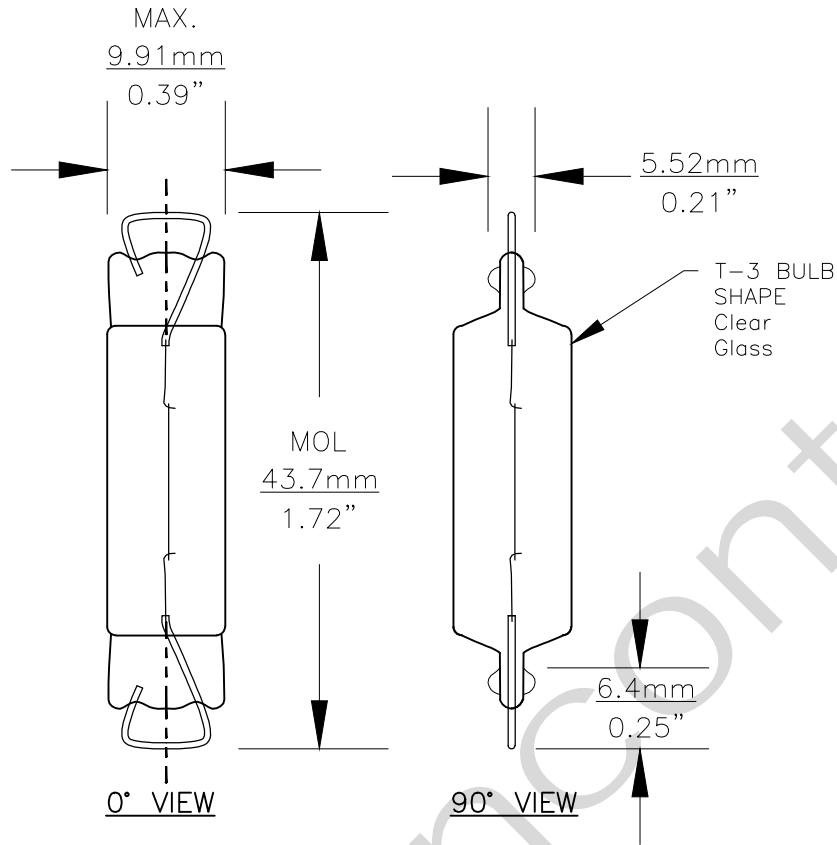


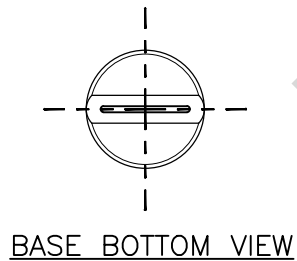


Since 1959

PART NO.	BASE TYPE	DESIGN VOLTS	DESIGN AMPS	MSCD	FILAMENT TYPE	AVERAGE LIFE HOURS	REVISIONS			
							REV #	DESCRIPTION	DATE	APPROVED
563	RIGID LOOP	13.5V	0.52±10%	4 ±20%	C-8	1000	1	ISSUED	05/10/2019	R.M.



BASE DIMENSIONS



Note: Made according to SAE specifications

UNLESS OTHERWISE SPECIFIED: DIMENSIONS ARE IN INCHES TOLERANCES		CEC INDUSTRIES LTD			
DECIMALS	ANGULAR	599 BOND STREET		LINCOLNSHIRE, IL 60069	
.XX ± .05	± 0.5°				
.XXX ± .010					
FRACTIONAL	±1/64				
DRAWN ROSE MEDINA	DATE 05/10/2019	TITLE LIGHT BULB NO. 563			
CHECKED		SIZE A	FSCM NO.	DWG NO. 563	REV 1
DESIGN		SCALE	PLOT SCALE	SHEET 1 OF 1	
MATERIAL		FILE 563.pdf	DRAWING NOT TO SCALE		