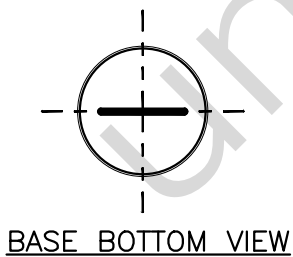
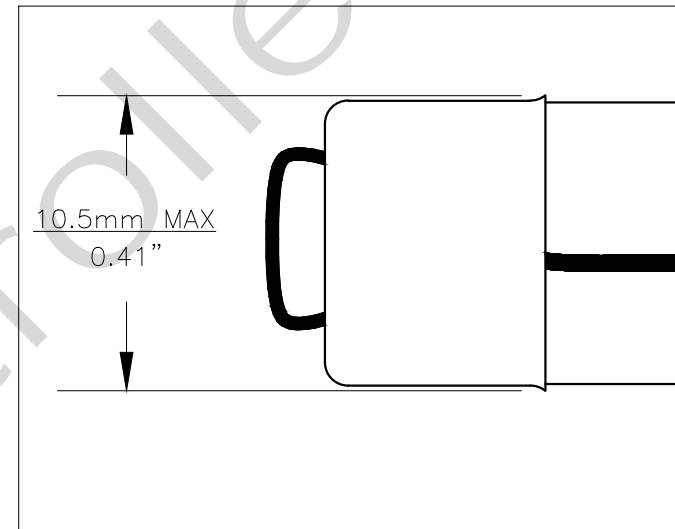
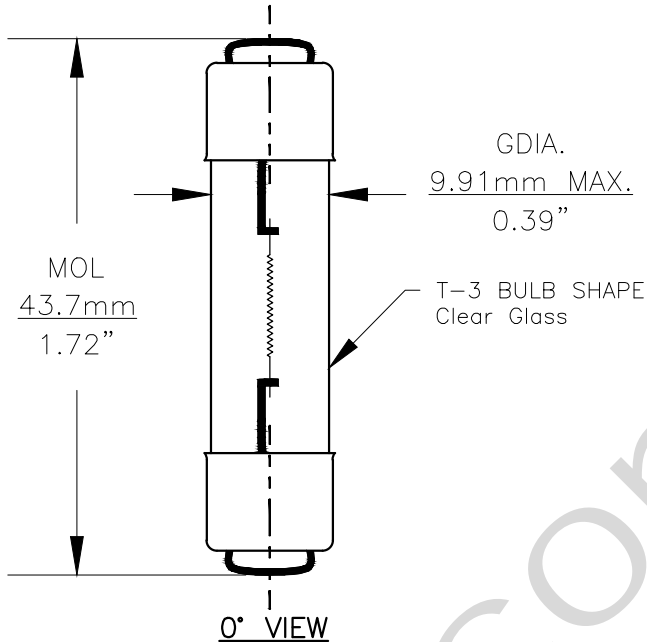




Since 1959

PART NO.	BASE TYPE	DESIGN VOLTS	DESIGN AMPS	MSCD	FILAMENT TYPE	AVERAGE LIFE HOURS	REVISIONS			
							REV #	DESCRIPTION	DATE	APPROVED
578	MINIATURE END CAPS	12.8V	0.78±10%	9 ±20%	C-8	1000	1	ISSUED	10/31/2008	D.C.
							2	REDRAW DOUBLE END CAP AND CHANGE DIA. SPEC.	04/21/2011	M.L.
							3	REDREW LAYOUT/ADDED VIEWS	05/10/2019	R.M.



Note: Made according to SAE specifications

UNLESS OTHERWISE SPECIFIED: DIMENSIONS ARE IN INCHES TOLERANCES		CEC INDUSTRIES LTD			
DECIMALS	ANGULAR	599 BOND STREET		LINCOLNSHIRE, IL 60069	
.XX ± .05	± 0.5°	TITLE LIGHT BULB NO. 578			
.XXX ± .010		CHECKED	DATE	SIZE	FSCM NO.
FRACTIONAL	± 1/64	DENNIS CLARK	10/31/2008	A	578
		DESIGN	SCALE	PLOT SCALE	SHEET 1 OF 1
		MATERIAL	FILE	DRAWING NOT TO SCALE	
			578.pdf		