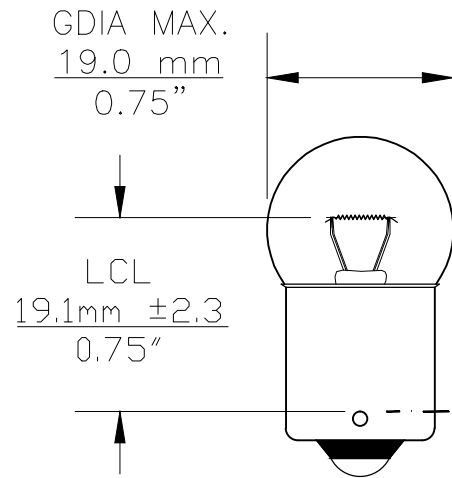
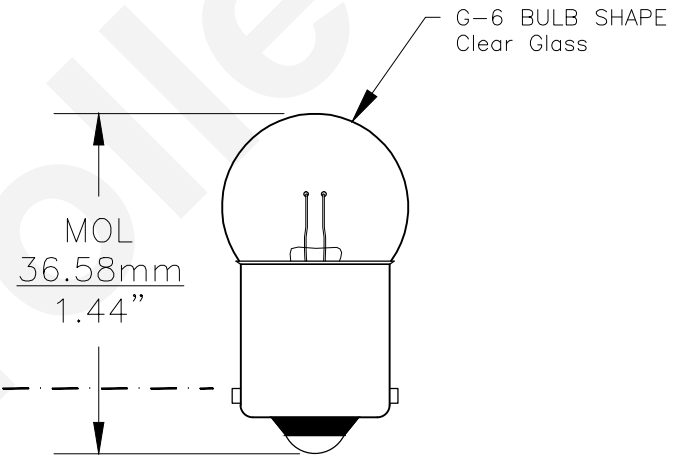




PART NO.	BASE TYPE	DESIGN VOLTS	DESIGN AMPS	MSCD	FILAMENT TYPE	AVERAGE LIFE HOURS	REVISIONS			
							REV #	DESCRIPTION	DATE	APPROVED
631	S.C. BAYONET (BA15s)	14.0V	0.63±20%	6 ±20%	2C-6	1000	1	ISSUED	11/03/2014	R.M.

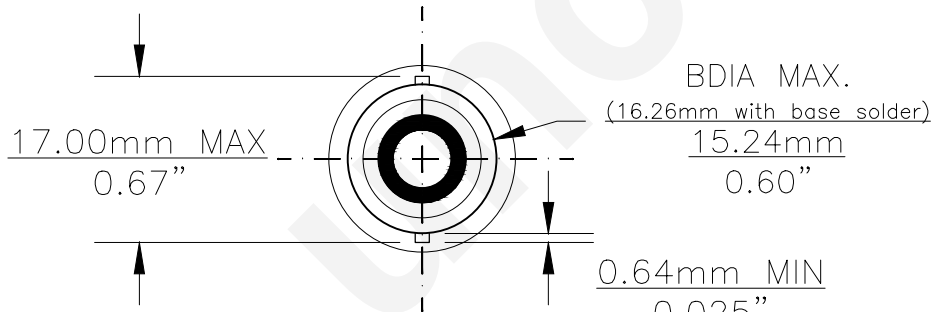


0° VIEW



90° VIEW

REFERENCE PLANE



BASE BOTTOM VIEW



Note: Made according to SAE specifications

UNLESS OTHERWISE SPECIFIED: DIMENSIONS ARE IN INCHES TOLERANCES		CEC INDUSTRIES LTD			
DECIMALS .XX ± .05	ANGULAR ± 0.5°	599 BOND STREET		LINCOLNSHIRE, IL 60069	
.XXX ± .010	FRACTIONAL ± 1/64	TITLE LIGHT BULB NO. 631			
DRAWN ROSE MEDINA	DATE 11/03/2014	SIZE A	FSCM NO.	DWG NO. 631	REV 1
DESIGN	SCALE	PLOT SCALE	SHEET 1 OF 1		
MATERIAL	FILE 631.pdf	DRAWING NOT TO SCALE			