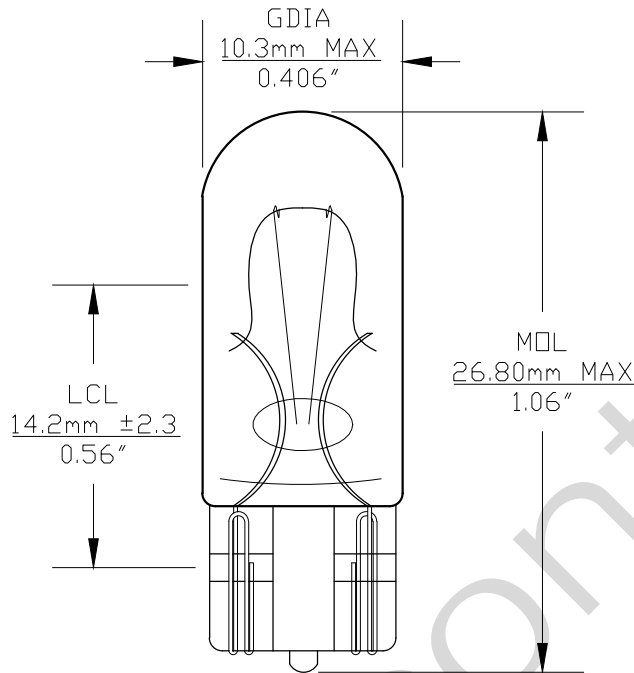
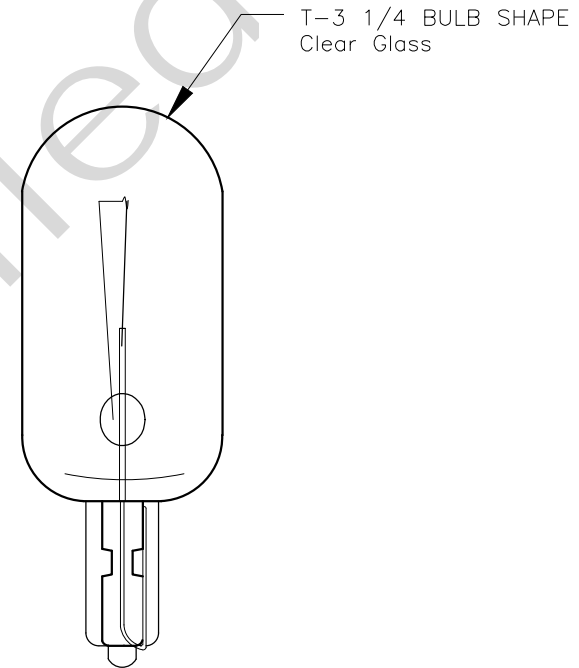




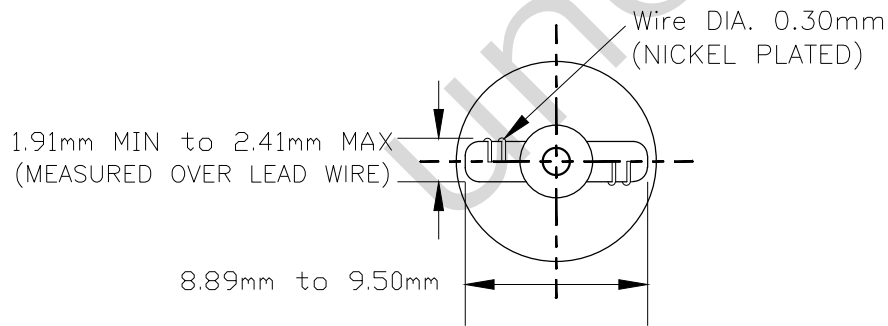
PART NO.	BASE TYPE	DESIGN VOLTS	DESIGN AMPS	MSCD	FILAMENT TYPE	AVERAGE LIFE HOURS	REVISIONS			
							REV #	DESCRIPTION	DATE	APPROVED
655	Glass Wedge T-3 1/4 (W2.1X9.2d)	28.0V	0.200±10%	3.0±20%	C-2F	7,000	1	ISSUED	12/06/2016	R.M.



0° VIEW



90° VIEW



BASE BOTTOM VIEW

Note: Made according to SAE specifications



UNLESS OTHERWISE SPECIFIED: DIMENSIONS ARE IN INCHES TOLERANCES		CEC INDUSTRIES LTD			
DECIMALS	ANGULAR	599 BOND STREET		LINCOLNSHIRE, IL 60069	
.XX ± .05	± 0.5°	TITLE LIGHT BULB NO. 655			
.XXX ± .010	± 1/64	SIZE A	FSCM NO.	DWG NO. 655	REV 1
FRACTIONAL		SCALE	PLOT SCALE	SHEET 1 OF 1	
DRAWN ROSE MEDINA		DATE 12/06/2016		MATERIAL	
CHECKED		FILE 655.pdf		DRAWING NOT TO SCALE	