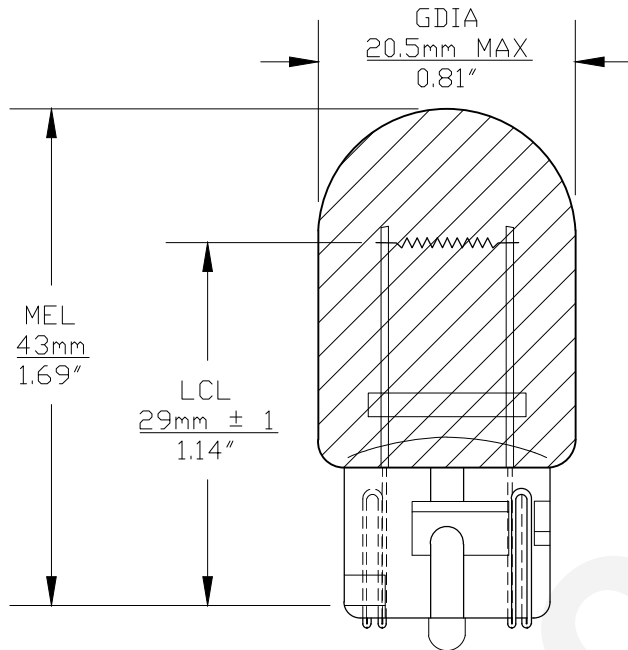




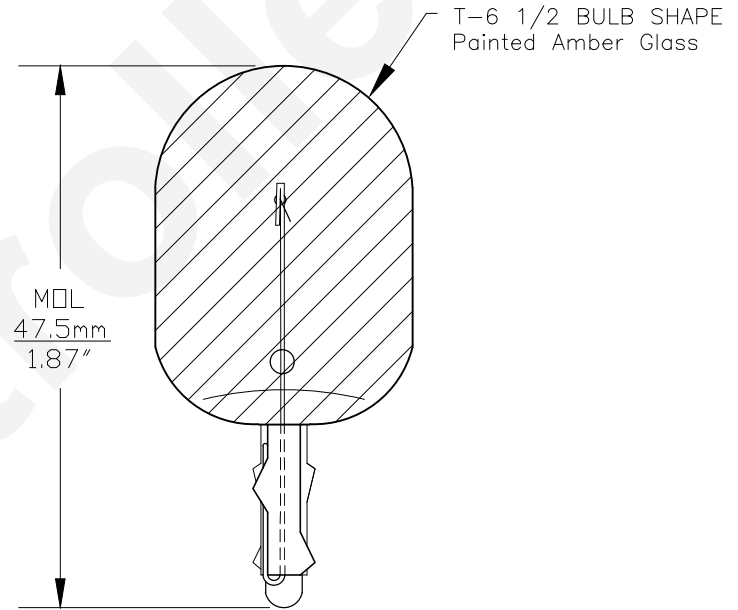
Since 1959

PART NO.	BASE TYPE	DESIGN VOLTS	FILAMENT TYPE	AVERAGE LIFE HOURS	REVISIONS			
					REV #	DESCRIPTION	DATE	APPROVED
7440A	Glass Wedge W3X16d (T-6 1/2)	13.5V	C-6	300	1	ISSUED	08/26/2014	R.M.
					2	REVISED TEST VOLTAGE & LUMENS	09/09/2016	R.M.

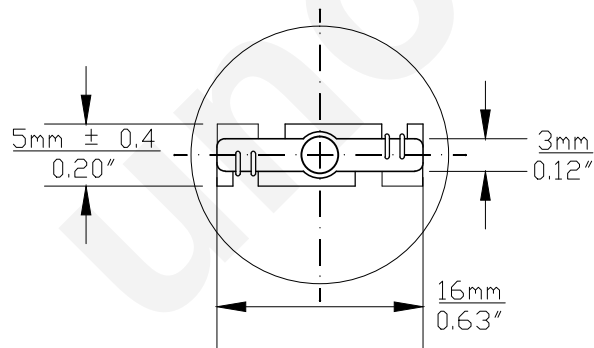
TEST VOLTAGE: 13.5V  
26.5W MAX.  
LUMENS: 280 ± 20%



0° VIEW



90° VIEW



BASE BOTTOM VIEW

UNLESS OTHERWISE SPECIFIED:  
DIMENSIONS ARE IN INCHES  
TOLERANCES  
DECIMALS ANGULAR  
.XX ± .05 ± 0.5°  
.XXX ± .010  
FRACTIONAL ± 1/64

CEC INDUSTRIES LTD

599 BOND STREET

LINCOLNSHIRE, IL 60069

DRAWN ROSE MEDINA	DATE 08/26/2014	TITLE LIGHT BULB NO. 7440A			
CHECKED	SIZE A	FSCM NO.	DWG NO. 7440A	REV 2	
DESIGN	SCALE	PLOT SCALE	SHEET 1 OF 1		
MATERIAL	FILE 7440A.pdf	DRAWING NOT TO SCALE			