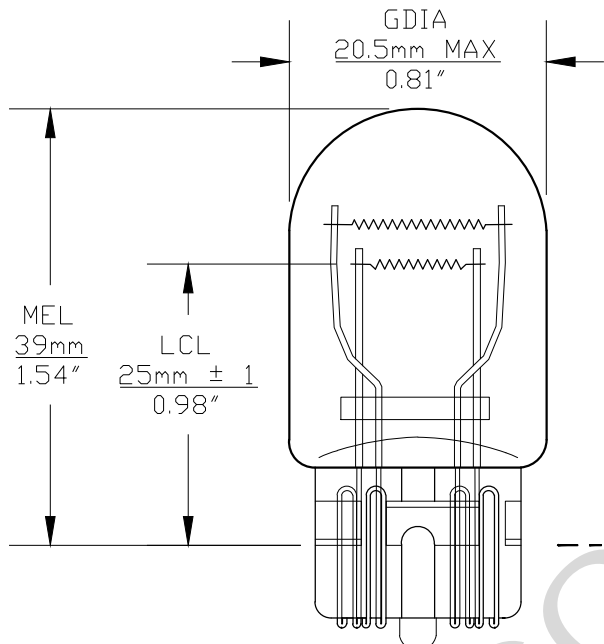
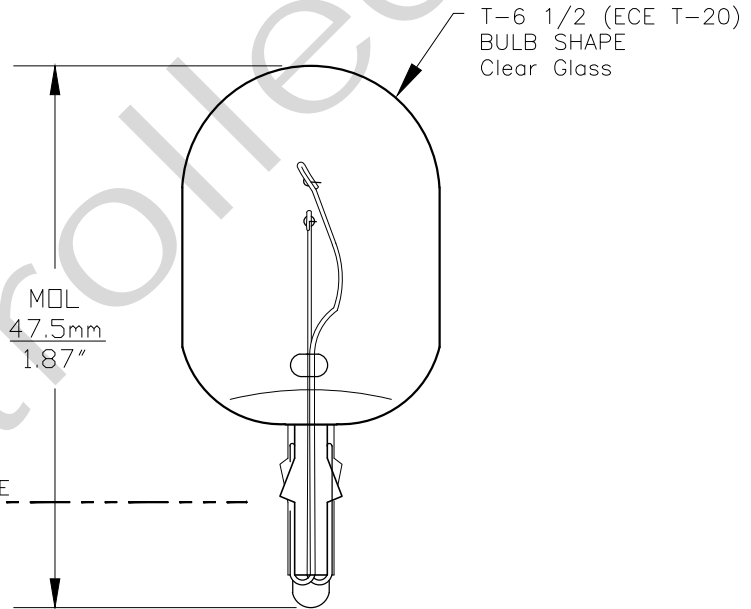




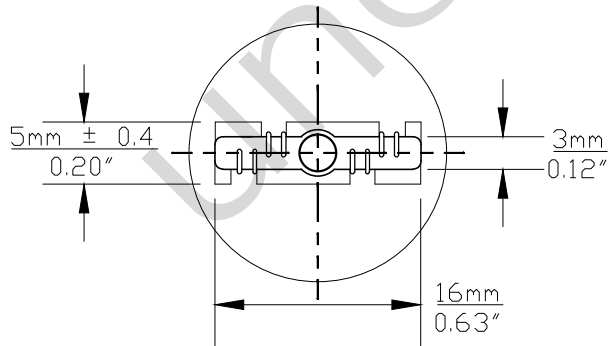
PART NO.	BASE TYPE	DESIGN VOLTS	DESIGN AMPS	MSCD	FILAMENT TYPE	AVERAGE LIFE HOURS	REVISIONS			
							REV #	DESCRIPTION	DATE	APPROVED
7444LL	Glass Wedge W3X16q (T-6 1/2)	12.8V 14.0V	2.23±5% 0.59±10%	32.0±15% 3.0±15%	C-6 C-6	4,000 10,000	1	ISSUED	11/18/2014	S.L.
							2	REDRAWN FOR ADDITIONAL VIEWS	11/22/2017	R.M.
							3	UPDATED MSCD	07/12/2018	R.M.



0° VIEW



90° VIEW



BASE BOTTOM VIEW



UNLESS OTHERWISE SPECIFIED: DIMENSIONS ARE IN INCHES TOLERANCES		CEC INDUSTRIES LTD	
DECIMALS .XX ± .05	ANGULAR ± 0.5°	599 BOND STREET	LINCOLNSHIRE, IL 60069
.XXX ± .010	FRACTIONAL ± 1/64	TITLE LIGHT BULB NO. 7444LL	
DRAWN SIDNEY LIU	DATE 11/18/2014	SIZE A	FSCM NO. 7444LL
CHECKED	SCALE	DWG NO. 7444LL	REV 3
DESIGN	PLOT SCALE	SHEET 1 OF 1	
MATERIAL	FILE 7444LL.pdf	DRAWING NOT TO SCALE	