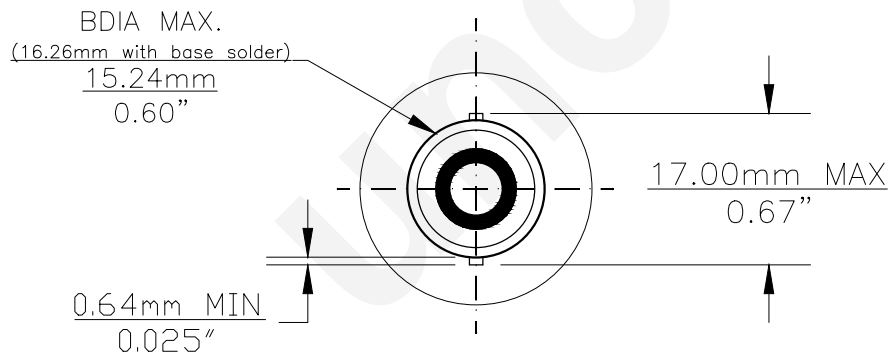
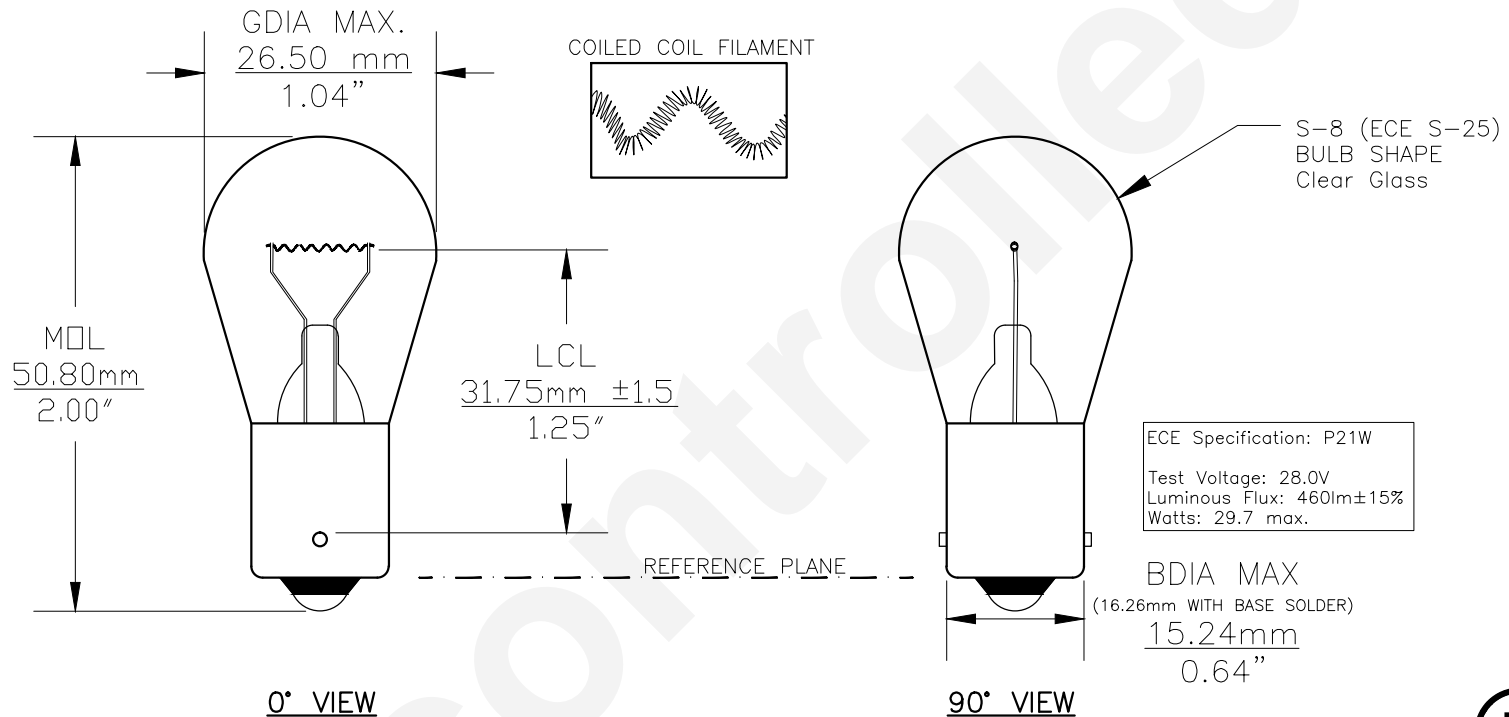




PART NO.	BASE TYPE	DESIGN VOLTS	DESIGN AMPS	MSCD	FILAMENT TYPE	AVERAGE LIFE HOURS	REVISIONS			
							REV #	DESCRIPTION	DATE	APPROVED
7511	S.C. Bayonet (BA15s)	24.0V	0.87±5%	36±15%	CC-6	150	1	ISSUED	04/02/2002	A.S.
							2	ADD ECE SPECIFICATION	06/17/2009	S.L.
							3	REDRAWN FOR ADDITIONAL VIEWS	08/29/2014	R.M.



Note: Made according to ECE/R37 specifications

UNLESS OTHERWISE SPECIFIED: DIMENSIONS ARE IN INCHES TOLERANCES		CEC INDUSTRIES LTD			
DECIMALS .XX ± .05	ANGULAR ± 0.5°	599 BOND STREET		LINCOLNSHIRE, IL 60069	
.XXX ± .010	FRACTIONAL ± 1/64	TITLE LIGHT BULB NO. 7511 (P21W 24V)			
DRAWN ANNA SOLOVEYCHIK	DATE 04/02/2002	SIZE A	FSCM NO.	DWG NO. 7511	REV 3
CHECKED	DESIGN	SCALE	PLOT SCALE	SHEET 1 OF 1	
MATERIAL	FILE 7511.pdf	DRAWING NOT TO SCALE			