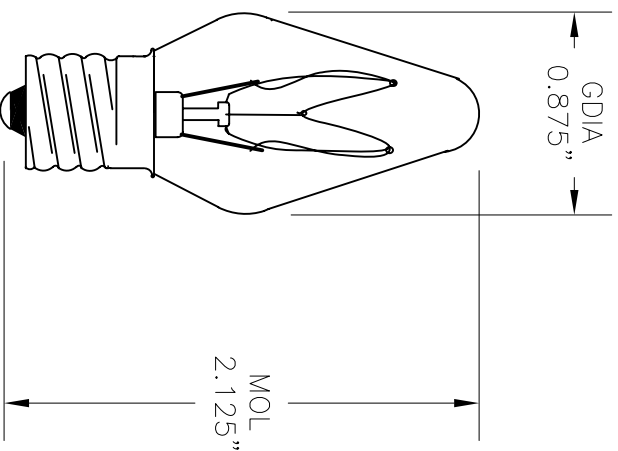


| PART NO. | BASE TYPE | DESIGN VOLTS | WATT | FILAMENT TYPE | AVG LIFE | PKG. QTY. |
|---------------------|----------------------------|--------------|------------|---------------|----------|-----------|
| 7C7 SEE BELOW | CANDELABRA SCREW E12 | 120V | 7 ± 25% | C-7A* | 1500 | 24 |

* C-7A JAPANESE DESIGN 3-SUPPORT FILAMENT

| PART NUMBERS | COLOR |
|--------------|-------------------|
| 7C7-CO 120V | CERAMIC ORANGE |
| 7C7-CR 120V | CERAMIC RED |
| 7C7-CW 120V | CERAMIC WHITE |
| 7C7-TA 120V | TRANSPARENT AMBER |



UNLESS OTHERWISE SPECIFIED:
DIMENSIONS ARE IN INCHES
TOLERANCES
DECIMALS ± .05
XX ± .05
.XXX ± .010
FRACTIONAL ± 1/64

CEC INDUSTRIES LTD
599 BOND STREET
LINCOLNSHIRE, IL 60069

TITLE LIGHT BULB NO. 7C7 120V COLOR

DRAWN D. Clark DATE 01/31/2006

CHECKED

DESIGN

MATERIAL

SIZE A FSCM NO. DWG NO. 7C7 120V COLOR 3 SUPPORT FILAMENT REV

SCALE PLOT SCALE SHEET 1 OF 1

FILE 7C7 120V Color 3 support filament.dwg DO NOT SCALE DRAWING