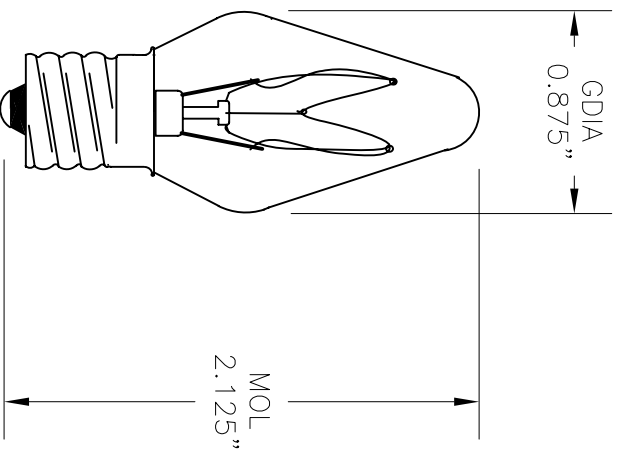


PART NO.	BASE TYPE	DESIGN VOLTS	WATT	FILAMENT TYPE	AVG LIFE	PKG. QTY.
7C7 120V	CANDELABRA SCREW E12	120V	7 ± 25%	C-7A*	1500	24

\* C-7A JAPANESE DESIGN 3-SUPPORT FILAMENT

REVISIONS			
REV	DESCRIPTION	DATE	APPROVED
1	REDRAWN	01/31/2006	D.C.



UNLESS OTHERWISE SPECIFIED: DIMENSIONS ARE IN INCHES TOLERANCES				DRAWN MARRIA M. VARGAS				DATE 01/18/2000	
DECIMALS XX ± .05 .XXX ± .010 FRACTIONAL		ANGULAR ± 0.5° ± 1/64		CHECKED				SIZE A	
DESIGN				MATERIAL		FILE 7C7 120V 3 support filament.dwg		DO NOT SCALE DRAWING	
CEC INDUSTRIES LTD 599 BOND STREET LINCOLNSHIRE, IL 60069				TITLE LIGHT BULB NO. 7C7 120V		FSCM NO. 7C7 120V 3 SUPPORT FILAMENT		DWG NO. 7C7 120V 3 SUPPORT FILAMENT	
SCALE		PLOT SCALE		SHEET 1 OF 1		REV			