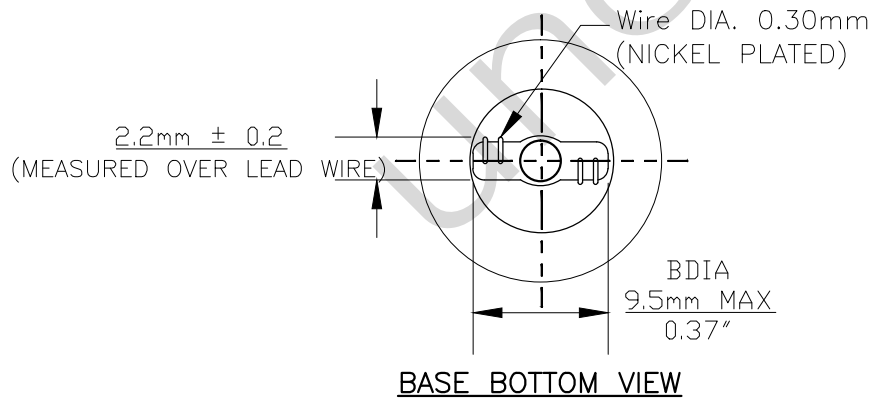
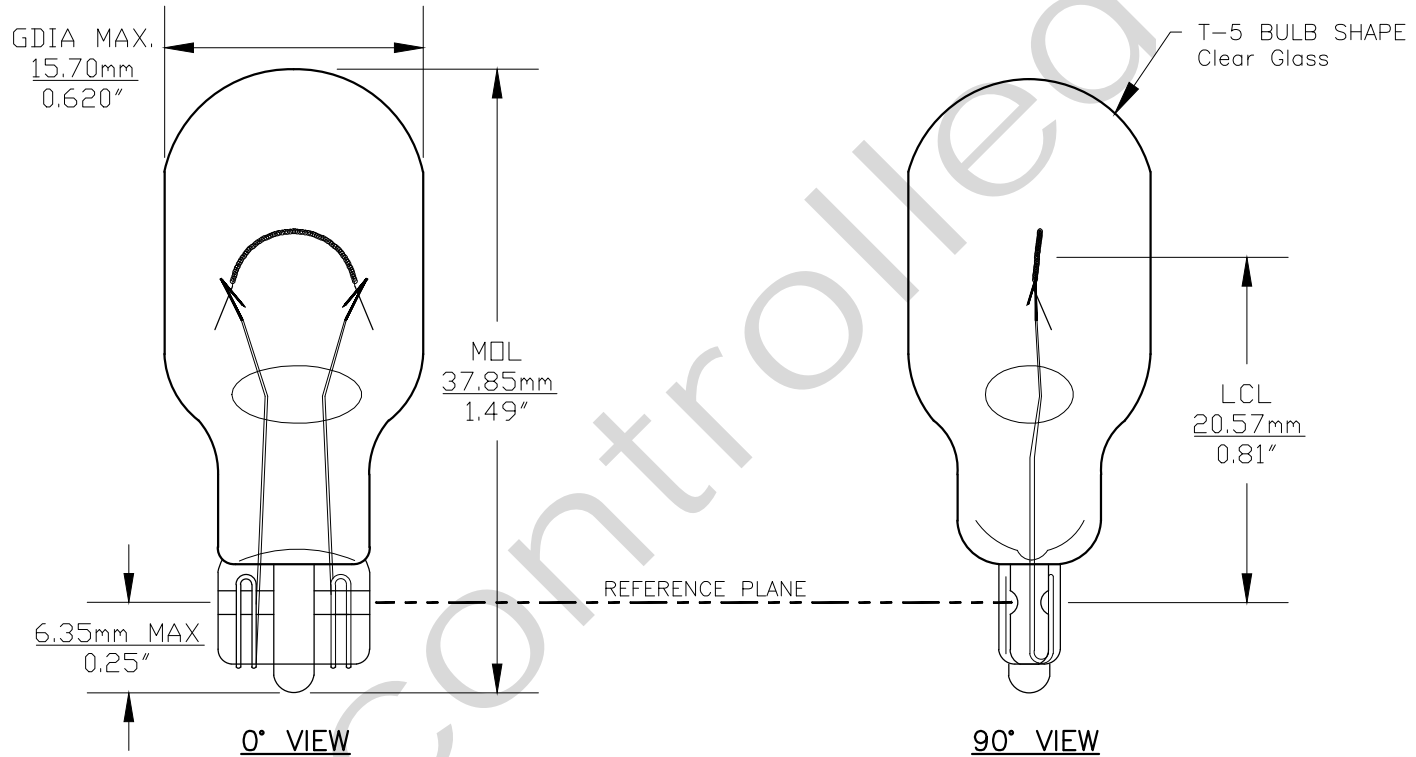




Since 1959

PART NO.	BASE TYPE	DESIGN VOLTS	DESIGN AMPS	MSCD	FILAMENT TYPE	AVERAGE LIFE HOURS	REVISIONS			
							REV #	DESCRIPTION	DATE	APPROVED
909	Glass Wedge W2.1X9.5d (T-5)	6.0V	0.62±10%	3 ±20%	C-2R	30	1	ISSUED	11/08/2016	R.M..



Note: Made according to SAE specifications



UNLESS OTHERWISE SPECIFIED: DIMENSIONS ARE IN INCHES TOLERANCES		CEC INDUSTRIES LTD	
DECIMALS	ANGULAR	599 BOND STREET LINCOLNSHIRE, IL 60069	
.XX ± .05	± 0.5°		
.XXX ± .010			
FRACTIONAL	± 1/64		
DRAWN ROSE MEDINA	DATE 11/08/2016	TITLE LIGHT BULB NO. 909	
CHECKED		SIZE A	REV 1
DESIGN		FSCM NO.	DWG NO. 909
MATERIAL		SCALE	SHEET 1 OF 1
		PLOT SCALE	
		FILE 909.pdf	DRAWING NOT TO SCALE