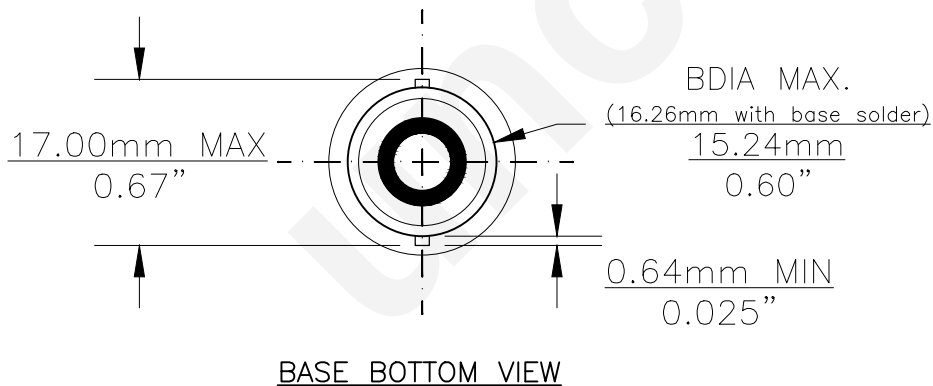
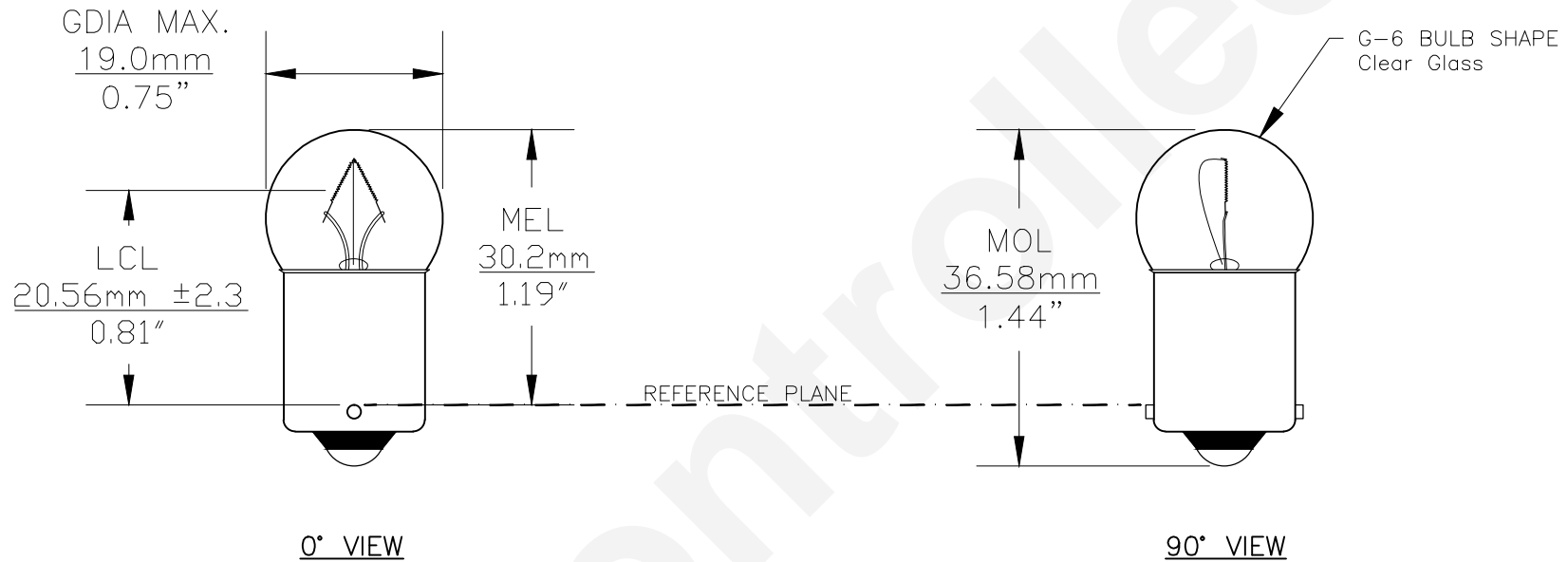




PART NO.	BASE TYPE	DESIGN VOLTS	DESIGN AMPS	MSCD	FILAMENT TYPE	AVERAGE LIFE HOURS	REVISIONS			
							REV #	DESCRIPTION	DATE	APPROVED
97-1	S.C. BAYONET (BA15s)	13.5V	0.58 ±8%	6 ±15%	C-2V	5000	1	ISSUED	05/29/2014	R.M.



Note: Made according to SAE specifications

UNLESS OTHERWISE SPECIFIED: DIMENSIONS ARE IN INCHES TOLERANCES		CEC INDUSTRIES LTD			
DECIMALS	ANGULAR	599 BOND STREET		LINCOLNSHIRE, IL 60069	
.XX ± .05	± 0.5°	TITLE LIGHT BULB NO. 97-1			
.XXX ± .010		CHECKED	DATE	SIZE	FSCM NO.
FRACTIONAL	± 1/64	ROSE MEDINA	05/29/2014	A	DWG NO. 97-1
		DESIGN	SCALE	PLOT SCALE	SHEET 1 OF 1
		MATERIAL	FILE	DRAWING NOT TO SCALE	
			97-1.pdf		