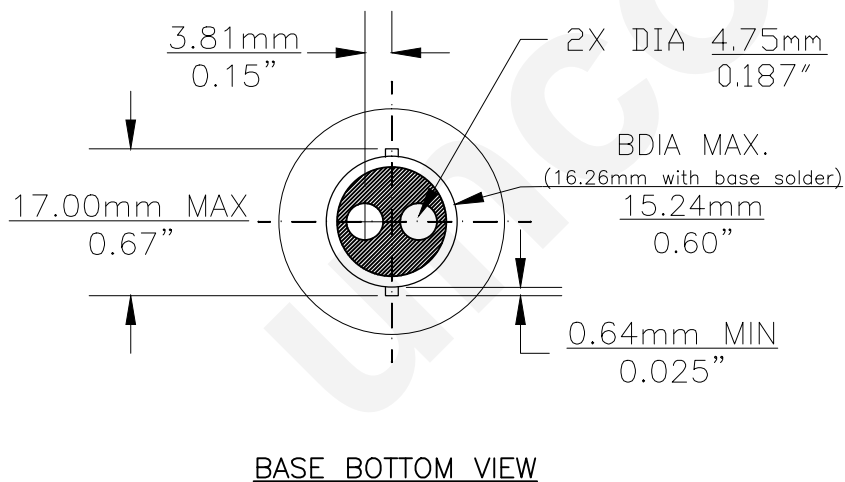
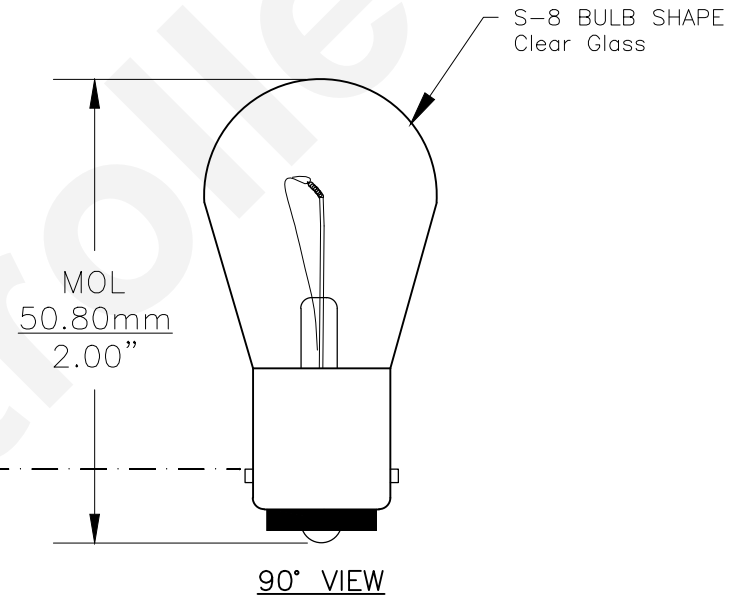
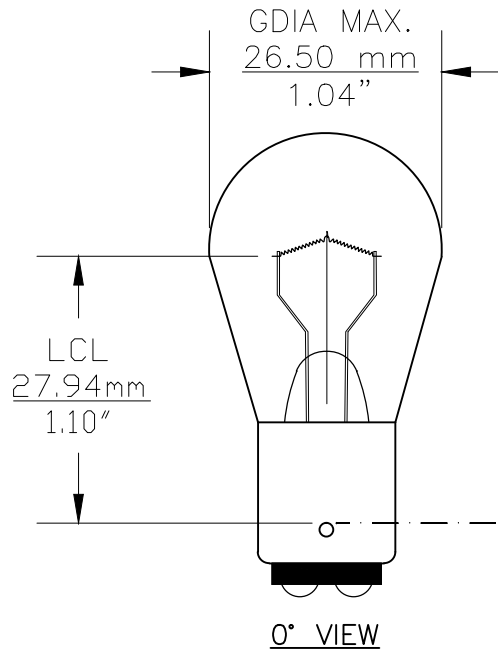




| PART NO. | BASE TYPE                     | DESIGN VOLTS | DESIGN AMPS | MSCD | FILAMENT TYPE | AVERAGE LIFE HOURS | REVISIONS |              |            |          |
|----------|-------------------------------|--------------|-------------|------|---------------|--------------------|-----------|--------------|------------|----------|
|          |                               |              |             |      |               |                    | REV #     | DESCRIPTION  | DATE       | APPROVED |
| CE11     | D.C. BAYONET (BA15d) (Nickel) | 48.0V        | 0.50        | --   | C-2V          | 300                | 1         | NEW TEMPLATE | 04/29/2016 | R.M.     |
|          |                               |              |             |      |               |                    |           |              |            |          |
|          |                               |              |             |      |               |                    |           |              |            |          |



|   |            |                     |                      |                        |  |
|---|------------|---------------------|----------------------|------------------------|--|
| UNLESS OTHERWISE SPECIFIED:<br>DIMENSIONS ARE IN INCHES<br>TOLERANCES |            | CEC INDUSTRIES LTD  |                      |                        |  |
| DECIMALS  | ANGULAR    | 599 BOND STREET     |                      | LINCOLNSHIRE, IL 60069 |  |
| .XX ± .05   | ± 0.5°     |                     |                      |                        |  |
| .XXX ± .010   |            |                     |                      |                        |  |
| FRACTIONAL  | ± 1/64     |                     |                      |                        |  |
| DRAWN   | DATE       | TITLE               |                      |                        |  |
| DENNIS CLARK  | 12/22/2004 | LIGHT BULB NO. CE11 |                      |                        |  |
| CHECKED   | SIZE       | FSCM NO.            | DWG NO.              | REV                    |  |
|   | A          |                     | CE11                 | 1                      |  |
| DESIGN  | SCALE      | PLOT SCALE          | SHEET                | 1 OF 1                 |  |
| MATERIAL  | FILE       | CE11.pdf            | DRAWING NOT TO SCALE |                        |  |