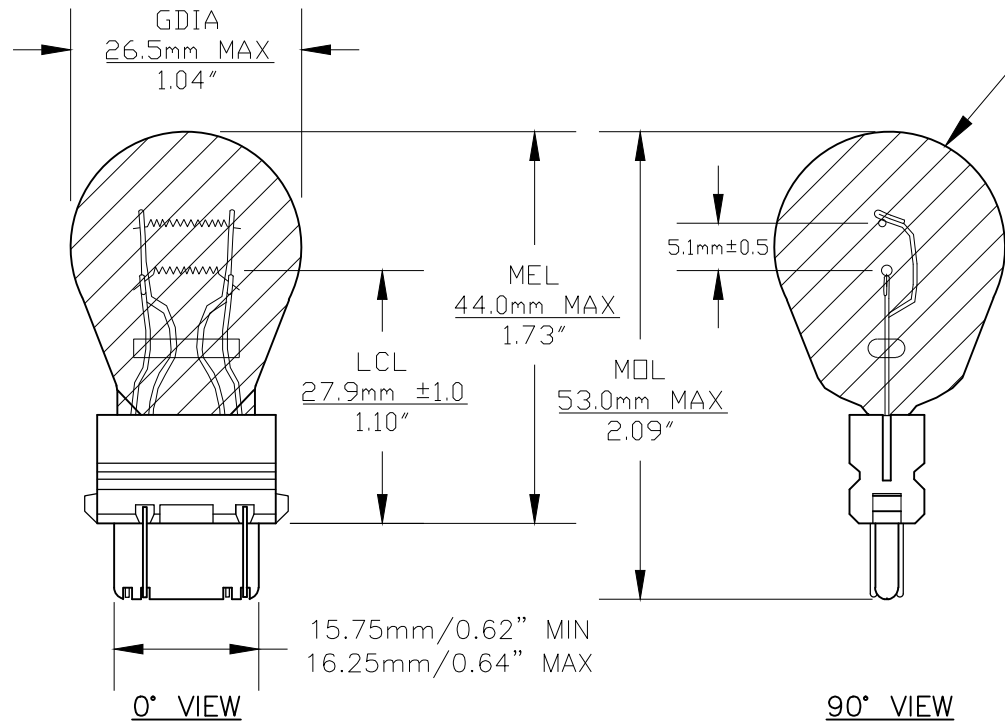


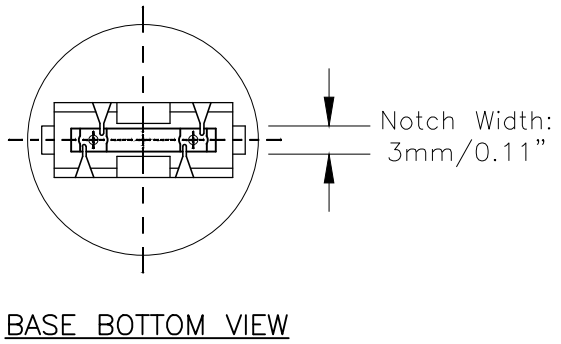
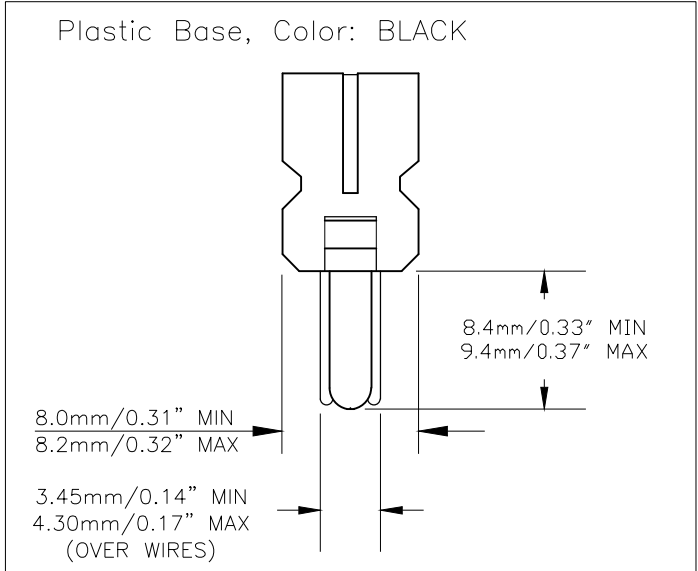


PART NO.	BASE TYPE	TEST VOLTS	DESIGN AMPS	MSCD	FILAMENT TYPE	AVERAGE LIFE HOURS
HIB3057 WM	D.F. Plastic Wedge W2.5X16q	12.8V 14.0V	2.10±5% 0.48±8%	32±10% 2±12%	C-6 C-6	1200 5000

REVISIONS			
REV #	DESCRIPTION	DATE	APPROVED
1	ISSUED	05/28/2019	R.M.



S-8 BULB SHAPE
Blue Coating



Note: Made according to SAE specifications



UNLESS OTHERWISE SPECIFIED: DIMENSIONS ARE IN INCHES TOLERANCES		CEC INDUSTRIES LTD			
DECIMALS	ANGULAR	599 BOND STREET		LINCOLNSHIRE, IL 60069	
.XX ± .05	± 0.5°	TITLE LIGHT BULB NO. HIB3057 WM			
.XXX ± .010		SIZE A	FSCM NO.	DWG NO. HIB3057 WM	REV 1
FRACTIONAL	± 1/64	SCALE		PLOT SCALE	SHEET 1 OF 1
DRAWN ROSE MEDINA		DATE 05/28/2019		MATERIAL	
CHECKED		FILE HIB3057WM.pdf		DRAWING NOT TO SCALE	