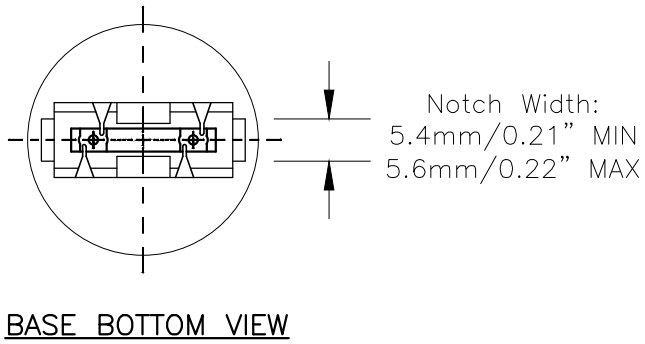
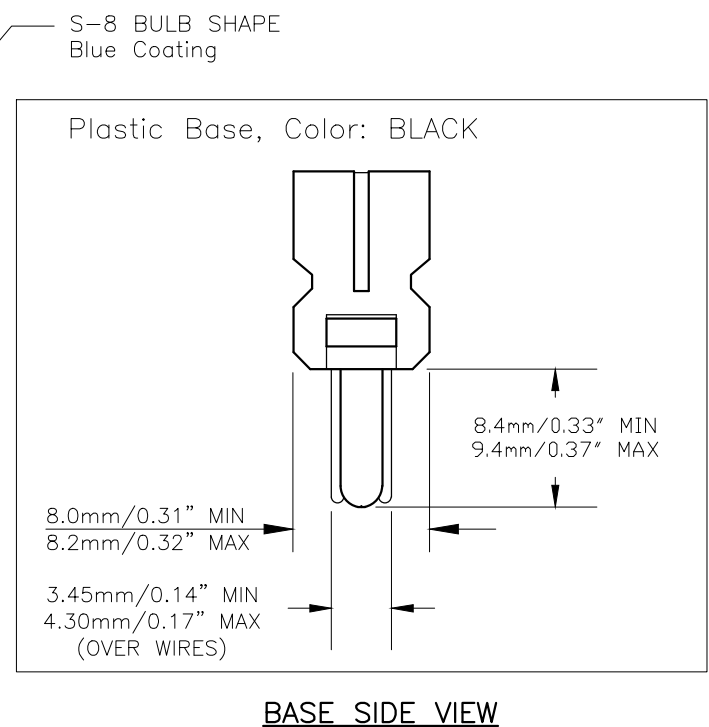
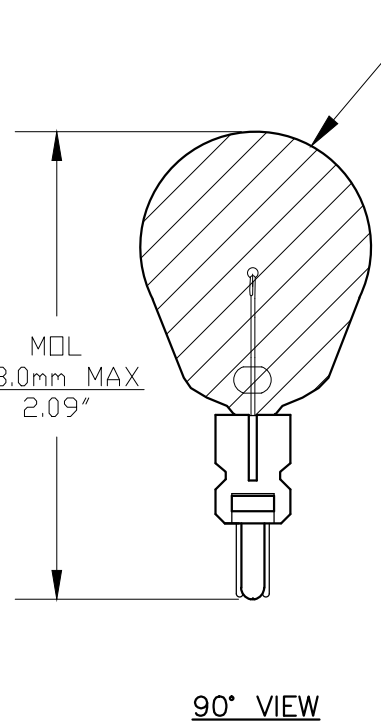
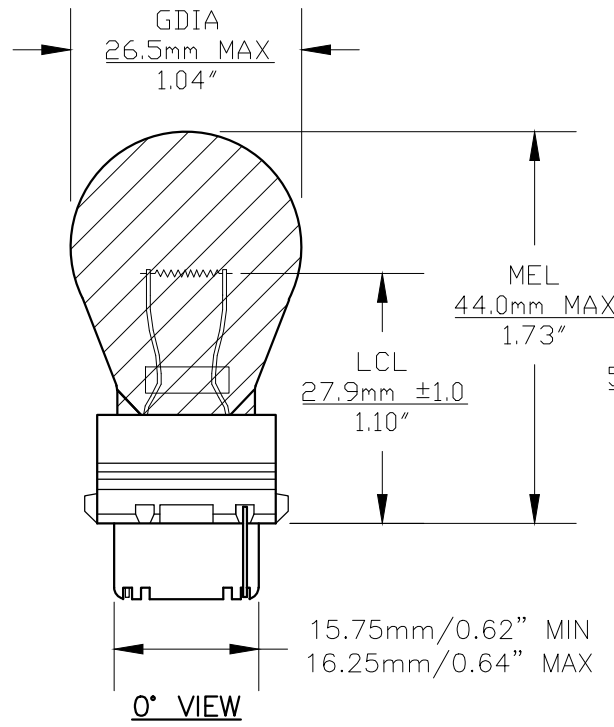




PART NO.	BASE TYPE	TEST VOLTS	DESIGN AMPS	MSCD	FILAMENT TYPE	AVERAGE LIFE HOURS	REVISIONS			
							REV #	DESCRIPTION	DATE	APPROVED
HIB3156 WM	S.F. Plastic Wedge W2.5X16d	12.8V	2.10±5%	32±10%	C-6	1200	1	ISSUED	05/28/2019	R.M.



Note: Made according to SAE specifications



UNLESS OTHERWISE SPECIFIED: DIMENSIONS ARE IN INCHES TOLERANCES		CEC INDUSTRIES LTD			
DECIMALS	ANGULAR	599 BOND STREET		LINCOLNSHIRE, IL 60069	
.XX ± .05	± 0.5°	TITLE LIGHT BULB NO. HIB3156 WM			
.XXX ± .010		DATE	05/28/2019	SIZE	A
FRACTIONAL	±1/64	CHECKED		FSCM NO.	
		DESIGN		DWG NO.	HIB3156 WM
		MATERIAL		REV	1
		SCALE		PLOT SCALE	
		FILE	HIB3156WM.pdf	SHEET	1 OF 1
				DRAWING NOT TO SCALE	