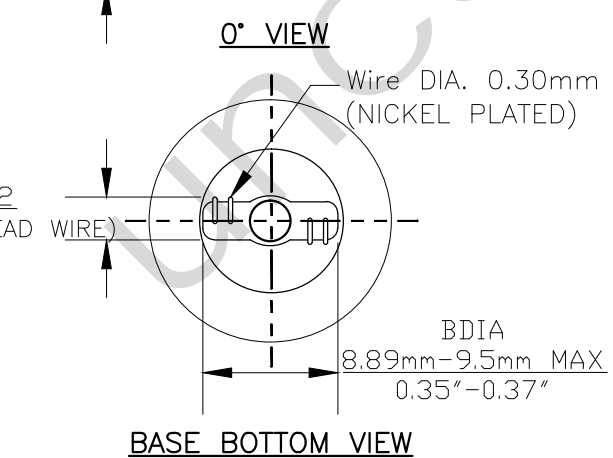
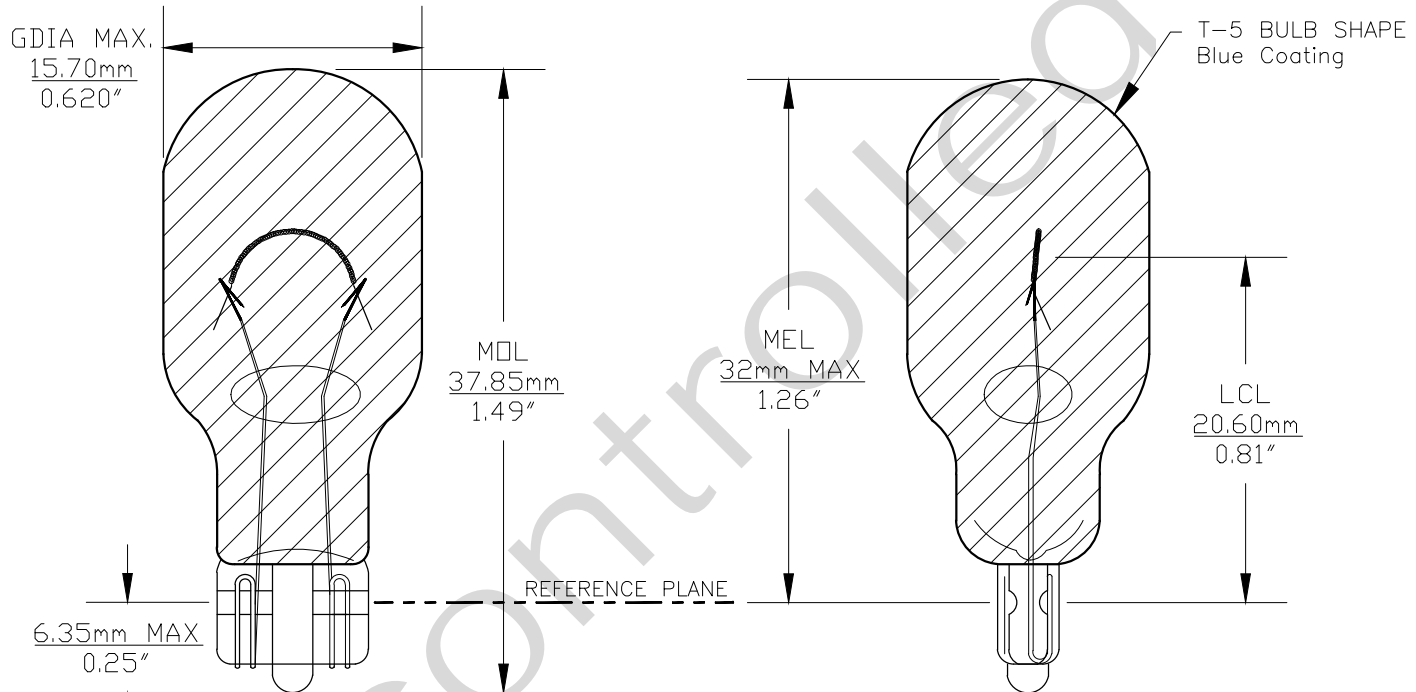




Since 1959

PART NO.	BASE TYPE	TEST VOLTS	DESIGN AMPS	MSCD	FILAMENT TYPE	AVERAGE LIFE HOURS	REVISIONS			
							REV #	DESCRIPTION	DATE	APPROVED
HIB921 WM	Glass Wedge (T-5)	12.8V	1.40±10%	21 ±20%	C-2R	1000	1	ISSUED	05/28/2019	R.M.



Note: Made according to SAE specifications



UNLESS OTHERWISE SPECIFIED: DIMENSIONS ARE IN INCHES TOLERANCES		CEC INDUSTRIES LTD	
DECIMALS	ANGULAR	599 BOND STREET LINCOLNSHIRE, IL 60069	
.XX ± .05	± 0.5°	TITLE LIGHT BULB NO. HIB921 WM	
.XXX ± .010		SIZE A	REV 1
FRACTIONAL	±1/64	FSCM NO.	DWG NO. HIB921 WM
DRAWN ROSE MEDINA DATE 05/28/2019		SCALE	SHEET 1 OF 1
CHECKED		FILE HIB921WM.pdf	DRAWING NOT TO SCALE
DESIGN			
MATERIAL			