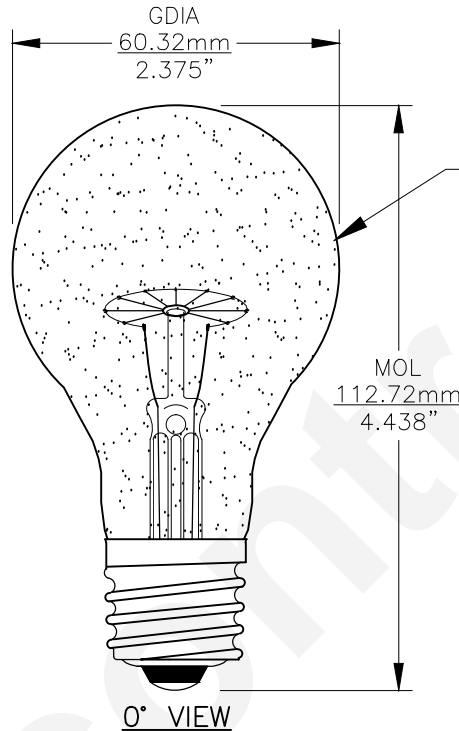




PART NO.	BASE TYPE	DESIGN VOLTS	DESIGN WATTS	APPROXIMATE LUMENS	FILAMENT TYPE	AVERAGE LIFE HOURS
RSB75	MEDIUM SCREW (E26) BRASS	130.0V	75	770	C-9	2500

REVISIONS			
REV #	DESCRIPTION	DATE	APPROVED
1	ADDRESS CHANGE	08/07/2006	D.C.
2	ADDITIONAL VIEW, REVISED LUMENS	04/05/2016	R.M.



ROUGH SERVICE BULB



UNLESS OTHERWISE SPECIFIED: DIMENSIONS ARE IN INCHES TOLERANCES		CEC INDUSTRIES LTD	
DECIMALS	ANGULAR	599 BOND STREET LINCOLNSHIRE, IL 60069	
.XX ± .05	± 0.5°		
.XXX ± .010			
FRACTIONAL	± 1/64		
DRAWN	DATE	TITLE	
MARIA M. VARGAS	11/15/1999	LIGHT BULB NO. RSB75	
CHECKED	SIZE	FSCM NO.	DWG NO.
	A		RSB75
DESIGN	SCALE	PLOT SCALE	SHEET 1 OF 1
MATERIAL	FILE	DRAWING NOT TO SCALE	
	RSB75.pdf		