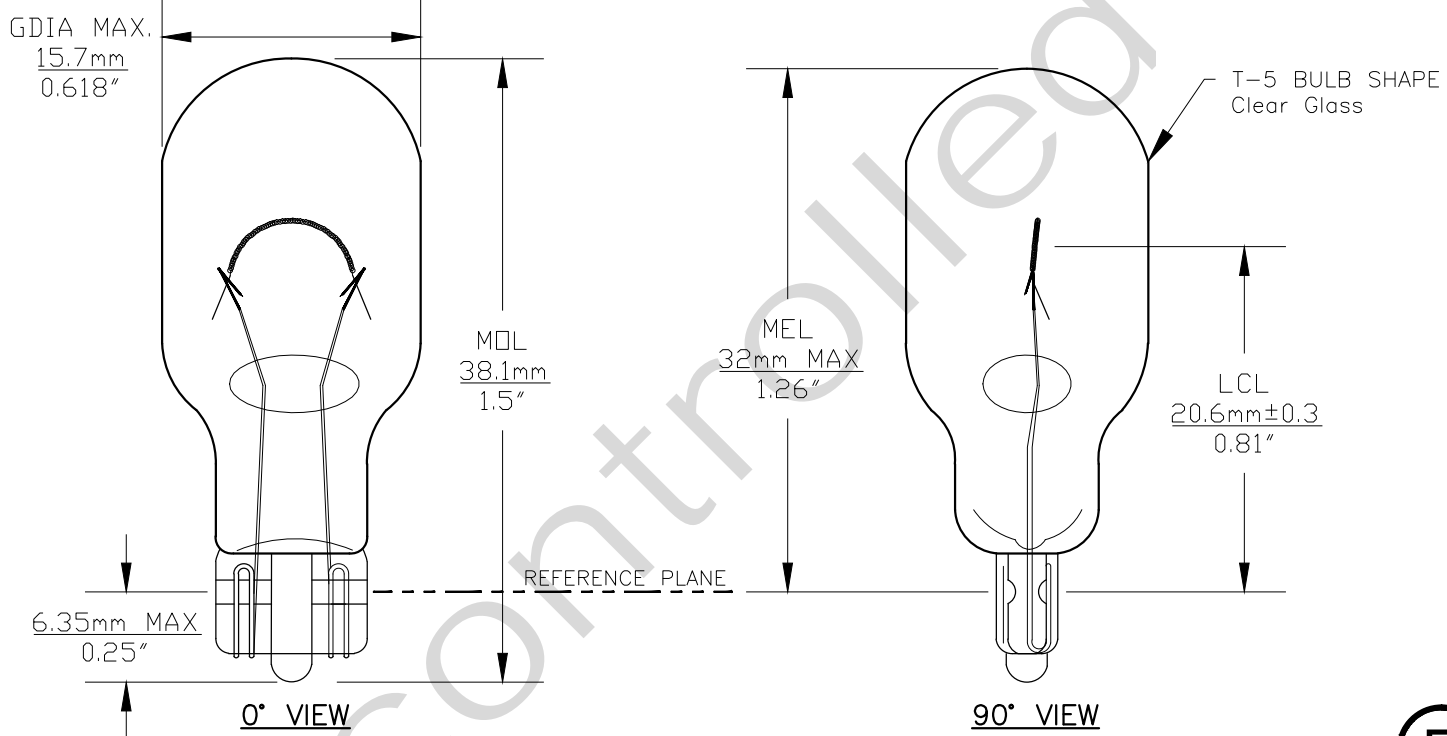




Since 1959

PART NO.	BASE TYPE	TEST VOLTS	LUMEN OUTPUT ● TEST VOLTAGE	POWER CONSUMPTION ● TEST VOLTAGE	FILAMENT TYPE	AVERAGE LIFE HOURS	REVISIONS			
							REV #	DESCRIPTION	DATE	APPROVED
W16W 12V	Glass Wedge W2.1X9.5d (T-5)	13.5V	310lm±20%	21.35W Max.	C-2R	500	1	ISSUED	01/06/2020	R.M.



6.35mm MAX
0.25"

0° VIEW

MOL
38.1mm
1.5"

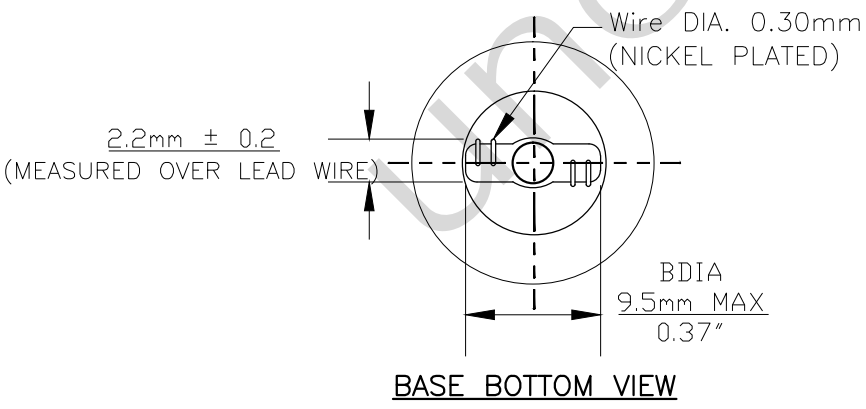
REFERENCE PLANE

MEL
32mm MAX
1.26"

90° VIEW

LCL
20.6mm±0.3
0.81"

T-5 BULB SHAPE
Clear Glass



Wire DIA. 0.30mm
(NICKEL PLATED)

2.2mm ± 0.2
(MEASURED OVER LEAD WIRE)

BDIA
9.5mm MAX
0.37"

BASE BOTTOM VIEW

LIFE TEST VALUES @ TEST VOLTAGE: B3 > 500h Tc > 1000h
 SWITCHING CYCLE: IEC 60810 Annex A point A.4.1.1
 LUMEN MAINTENANCE: Min. 70% after 225h
 VIBRATION RESISTANCE ACC. IEC 60810: Annex B; table B1 NBR test

Note: Made according to SAE specifications



UNLESS OTHERWISE SPECIFIED: DIMENSIONS ARE IN INCHES TOLERANCES		CEC INDUSTRIES LTD			
DECIMALS	ANGULAR	599 BOND STREET		LINCOLNSHIRE, IL 60069	
.XX ± .05	± 0.5°	TITLE LIGHT BULB NO. W16W 12V			
.XXX ± .010		SIZE A	FSCM NO.	DWG NO. W16W 12V	REV 1
FRACTIONAL	± 1/64	DESIGN	SCALE	PLOT SCALE	SHEET 1 OF 1
DRAWN ROSE MEDINA DATE 01/06/2020		MATERIAL FILE W16W 12V.pdf DRAWING NOT TO SCALE			