



Since 1959

PART NO.

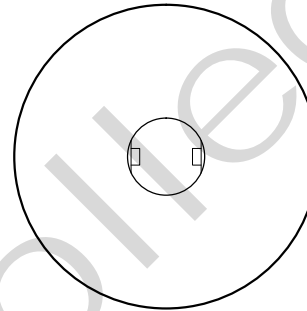
REF540N

BASE TYPE

REFLECTOR FOR 4087 SERIES

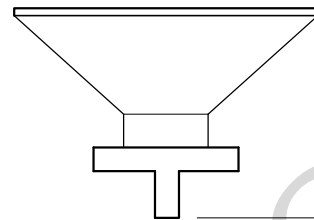
REVISIONS

REV #	DESCRIPTION	DATE	APPROVED
1	ISSUED	02/23/2021	R.M.



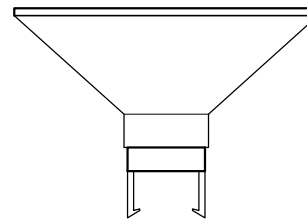
TOP VIEW

Ø1.159"
29.46mm



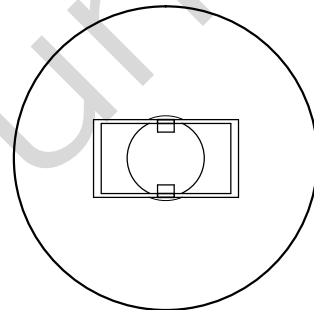
0° VIEW

0.928"
23.57mm



Ø0.420"
10.69mm

90° VIEW



BOTTOM VIEW

UNLESS OTHERWISE SPECIFIED: DIMENSIONS ARE IN INCHES TOLERANCES		CEC INDUSTRIES LTD	
DECIMALS .XX ± .05	ANGULAR ± 0.5°	599 BOND STREET	LINCOLNSHIRE, IL 60069
.XXX ± .010	FRACTIONAL ± 1/64	TITLE REF540N	
DRAWN ROSE MEDINA	DATE 02/23/2021	SIZE A	FSCM NO. DWG NO. REF540N REV 1
DESIGN	SCALE	PLOT SCALE	SHEET 1 OF 1
MATERIAL	FILE REF540N.pdf	DRAWING NOT TO SCALE	