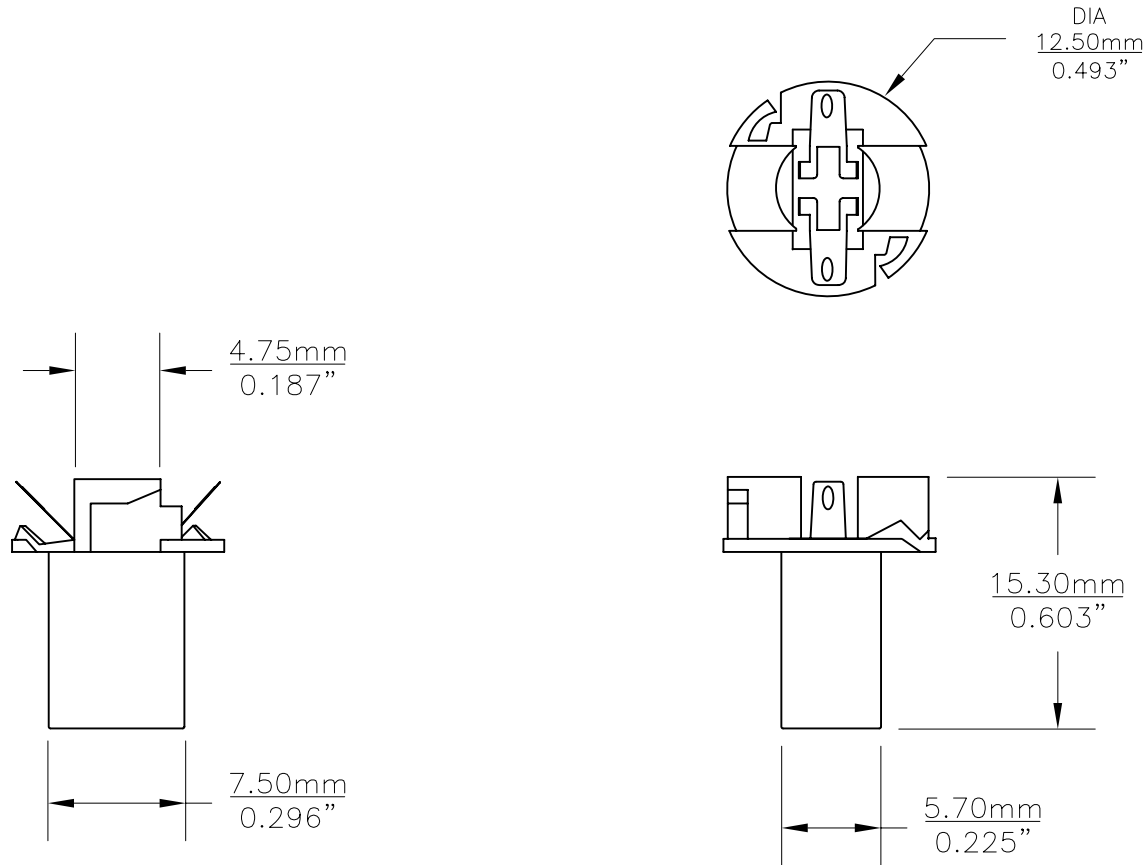


PART NO.: T-21
 DESCRIPTION: T1-3/4 SUB-MINIATURE WEDGE BASE SOCKET
 SOCKET COLOR: GRAY

REVISIONS			
REV	DESCRIPTION	DATE	APPROVED
1	ISSUED	01/17/2005	D.C.
2	SOCKET COLOR	08/27/2008	D.C.



UNLESS OTHERWISE SPECIFIED: DIMENSIONS ARE IN INCHES TOLERANCES DECIMALS .XX ± .05 ANGULAR ± 0.5° .XXX ± .010 FRACTIONAL ± 1/64		CEC INDUSTRIES LTD			
		599 BOND STREET		LINCOLNSHIRE, IL 60069	
DRAWN D. C.		DATE 01/17/2005		TITLE SUB-MINIATURE WEDGE BASE SOCKET T-21	
CHECKED		SIZE A	FSCM NO.	DWG NO. T21	REV 2
DESIGN		SCALE		PLOT SCALE	SHEET 1 OF 1
MATERIAL		FILE T21.dwg		DO NOT SCALE DRAWING	